



TEKNOROT

STEERING & SUSPENSION PARTS

HIGH QUALITY STEERING & SUSPENSION PARTS

HIGH QUALITY STEERING & SUSPENSION PARTS

S & SUSPENSION PARTS



AUDI

E-TRON 2018-2022 & 1st Gen

Parts: 20

Page: 6

Q4 E-TRON 2022- & F4

Parts: 14

Page: 10

BMW

i3 2014-2021 & I01

Parts: 12

Page: 13

i4 2021- & G26

Parts: 7

Page: 14

i8 2014-2020 & I12/I15

Parts: 6

Page: 15

iX 2021- & I20

Parts: 18

Page: 17

iX3 2020- & G08

Parts: 18

Page: 20

i5 2023- & G60/61

Parts: 4

Page: 23

i7 2023- & G70

Parts: 3

Page: 24

BYD

ATTO 3 2022-

Parts: 7

Page: 25

DOLPHIN 2021-

Parts: 7

Page: 26

CHEVROLET

BOLT EV 2017- & 1st gen

Parts: 3

Page: 27

VOLT 2010-2015 & 1st Gen

Parts: 7

Page: 28

VOLT 2016-2019 & 2nd Gen

Parts: 8

Page: 29

CUPRA

BORN 2021-

Parts: 12

Page: 31

TAVASCAN 2024-

Parts: 3

Page: 33

DACIA

SPRING 2020- & BW	Parts: 7	Page: 34
FORD		
E-TRANSIT 2023-	Parts: 7	Page: 36
MUSTANG MACH-e 2020- & 1st Gen	Parts: 18	Page: 37
MUSTANG MACH-e 2020- & CX727	Parts: 4	Page: 39
HONDA		
e 2019-	Parts: 1	Page: 40
HYUNDAI		
ELANTRA 2016-2020 & AD	Parts: 1	Page: 41
IONIQ V 2022- & NE	Parts: 13	Page: 41
IONIQ VI 2022- & CE	Parts: 6	Page: 44
IONIQ 2017-2022 & AE	Parts: 16	Page: 45
KONA 2018-2023 & OS	Parts: 19	Page: 47
KONA 2023- & SX2	Parts: 11	Page: 50
JAGUAR		
I-PACE 2018- & 1st Gen	Parts: 15	Page: 52
KIA		
EV6 2021-	Parts: 10	Page: 54
NIRO 2017-2022 & DE	Parts: 17	Page: 56
NIRO 2022- & SG2	Parts: 6	Page: 59
MERCEDES		
EQA 2021- & 1st Gen	Parts: 12	Page: 60

EQB 2021- & X243	Parts: 10	Page: 62
EQC 2019-2023 & N293	Parts: 26	Page: 64
EQE SUV 2022- & X294	Parts: 12	Page: 68
EQE SUV 2022- & X296	Parts: 2	Page: 70
EQE 2022- & V295	Parts: 16	Page: 70
EQS SUV 2022- & V296	Parts: 9	Page: 73
EQS 2021- & V297	Parts: 14	Page: 74
MG		
4 2022- & EH32	Parts: 10	Page: 76
ZS 2018-2024	Parts: 10	Page: 78
ZS 2024-	Parts: 6	Page: 79
NISSAN		
JUKE 2010-2019 & F15	Parts: 2	Page: 80
LEAF 2011-2017 & ZE0	Parts: 9	Page: 81
LEAF 2018-2024 & ZE1	Parts: 10	Page: 83
OPEL		
CORSA E 2019-	Parts: 8	Page: 85
CORSA 2019- & F	Parts: 11	Page: 86
PEUGEOT		
E-208 2019- & P21	Parts: 4	Page: 88
POLESTAR		
2 2020-2023	Parts: 4	Page: 89

3 2024-	Parts: 2	Page: 90
PORSCHE		
TAYCAN 2019- & 1st Gen	Parts: 8	Page: 91
RENAULT		
KWID 2017- & BW	Parts: 9	Page: 92
MEGANE E-TECH 2022-	Parts: 6	Page: 94
ZOE 2012-2024 & 1st Gen	Parts: 8	Page: 95
SEAT		
e-Mii 2020- & 1st Gen	Parts: 11	Page: 96
SKODA		
ELROQ 2025-	Parts: 10	Page: 98
TESLA		
MODEL 3 2017-2023 & 1st Gen	Parts: 29	Page: 100
MODEL 3 2023- & 2nd Gen	Parts: 7	Page: 103
MODEL S 2012-2021 & 1st Gen	Parts: 43	Page: 104
MODEL S 2021- & 2nd Gen	Parts: 33	Page: 110
MODEL X 2015-2021 & 1st Gen	Parts: 25	Page: 113
MODEL X 2021- & 2nd Gen	Parts: 10	Page: 116
MODEL Y 2020-2025 & 1st Gen	Parts: 27	Page: 118
MODEL Y 2025 & 2nd Gen	Parts: 1	Page: 121
MODEL Y 2025- & 2nd Gen	Parts: 10	Page: 121
TOGG		

T10X 2023-

Parts: 8

Page: 123

VOLKSWAGEN

ID.3 2020- & E11

Parts: 17

Page: 124

ID.4 2021- & E21

Parts: 18

Page: 127

ID.5 2022- & E39

Parts: 5

Page: 130

ID.7 2023-

Parts: 13

Page: 132

VOLVO

C40 2021- & 1st Gen

Parts: 1

Page: 134

EX30 2023-

Parts: 1

Page: 135

EX30 2023- & 1st Gen

Parts: 2

Page: 135

EX90 2024-

Parts: 2

Page: 136

AUDI / E-TRON 2018-2022 & 1st Gen



Front



1 A-722



2 A-723



3 A-723



4 A-721



5 A-173



6 A-172



7 A-744



8 A-177



9 A-176



10 A-744



11 A-178



12 A-626



13 A-626



Rear



14 A-1059



15 AU-BS130



16 A-1058



17 A-1069



18 A-1068



19 A-171



20 A-171



21 A-170



22 A-170



23 PO-568



24 A-727



25 A-727

Part No	Part Description	Part Position	OEM	Notes
A-722	Steering Tie Rod End	Front Left	4M0423811B, 4M0423811D	
A-723	Steering Tie Rod	Front	4M0423810C	
A-721	Steering Tie Rod End	Front Right	4M0423812B, 4M0423812D	
A-173	Suspension Control Arm and Ball Joint Assembly	Front Left Upper Rearward	4M0407509B, 4N0407509, 4M0407509E, 4M0407509C, 80A407509A, 80A407509, 80D407509A, 80D407509, 958407509B, 958407509C, 4M0407509F, 4M0407509G	

A-172	Suspension Control Arm and Ball Joint Assembly	Front Right Upper Rearward	4M0407510B, 4N0407510, 80A407510, 80A407510A, 4M0407510C, 80D407510A, 80D407510, 958407510B, 958407510C, 4M0407510E, 4M0407510F, 4M0407510G	
A-744	Suspension Ball Joint	Front Lower Forward	4M0407689C, 4M0407689B, 958407689C	
A-177	Suspension Control Arm and Ball Joint Assembly	Front Left Lower Forward	4M0407151H, 4M0407151F, 4M0407151D, 4M0407151G, PAB407151, 4M0407151E, 95840715100	
A-176	Suspension Control Arm and Ball Joint Assembly	Front Right Lower Forward	4M0407152H, 4M0407152F, 4M0407152D, PAB407152, 4M0407152E, 4M0407152L, 95840715200	
A-178	Suspension Control Arm and Ball Joint Assembly	Front Right Lower Rearward	4M0407694E, 4M0407694C, 4M0407694D, 4M0407694F, PAB407694, 95840769400	Electric-quattro
A-626	Suspension Stabilizer Bar Link	Front	4G0411317A, 4G0411317C, 4M0411317, 4G0411317, 4H0411317C, 4H0411317A, 4H0411317B, 4M0411317L	
A-1059	Lateral Arm	Rear Left Upper	4M0505397L, 4K0505397A	for air suspension
AU-BS130	Lateral Arm Bushing	Rear Forward	4M0505292F*, 4M0505291F*	
A-1058	Lateral Arm	Rear Right Upper	4M0505398L, 4K0505398A	for air suspension
A-1069	Lateral Arm	Rear Left Forward	4M0505291F	
A-1068	Lateral Arm	Rear Right Forward	4M0505292F	
A-171	Lateral Arm	Rear Upper Forward	4M0505323G, 80D505323, 4KD505323	
A-170	Lateral Arm	Rear Lower Rearward	4M0501529L	w/Air suspension

PO-568	Lateral Arm	Rear Lower Forward	9J1501529	GT Version
A-727	Suspension Stabilizer Bar Link	Rear	4M0505465D, 4K0505465, 958505465D	

AUDI / Q4 E-TRON 2022- & F4



Front



1 V-1031



2 V-1023



3 V-1023



4 V-1031



5 V-1034K



6 V-1034K



7 V-989



8 V-988



9 V-989S



10 V-988S



11 V-1036



12 V-1036



Rear



13 V-1068



14 V-1068



15 V-1088



16 V-1098



17 V-1078



18 V-1047

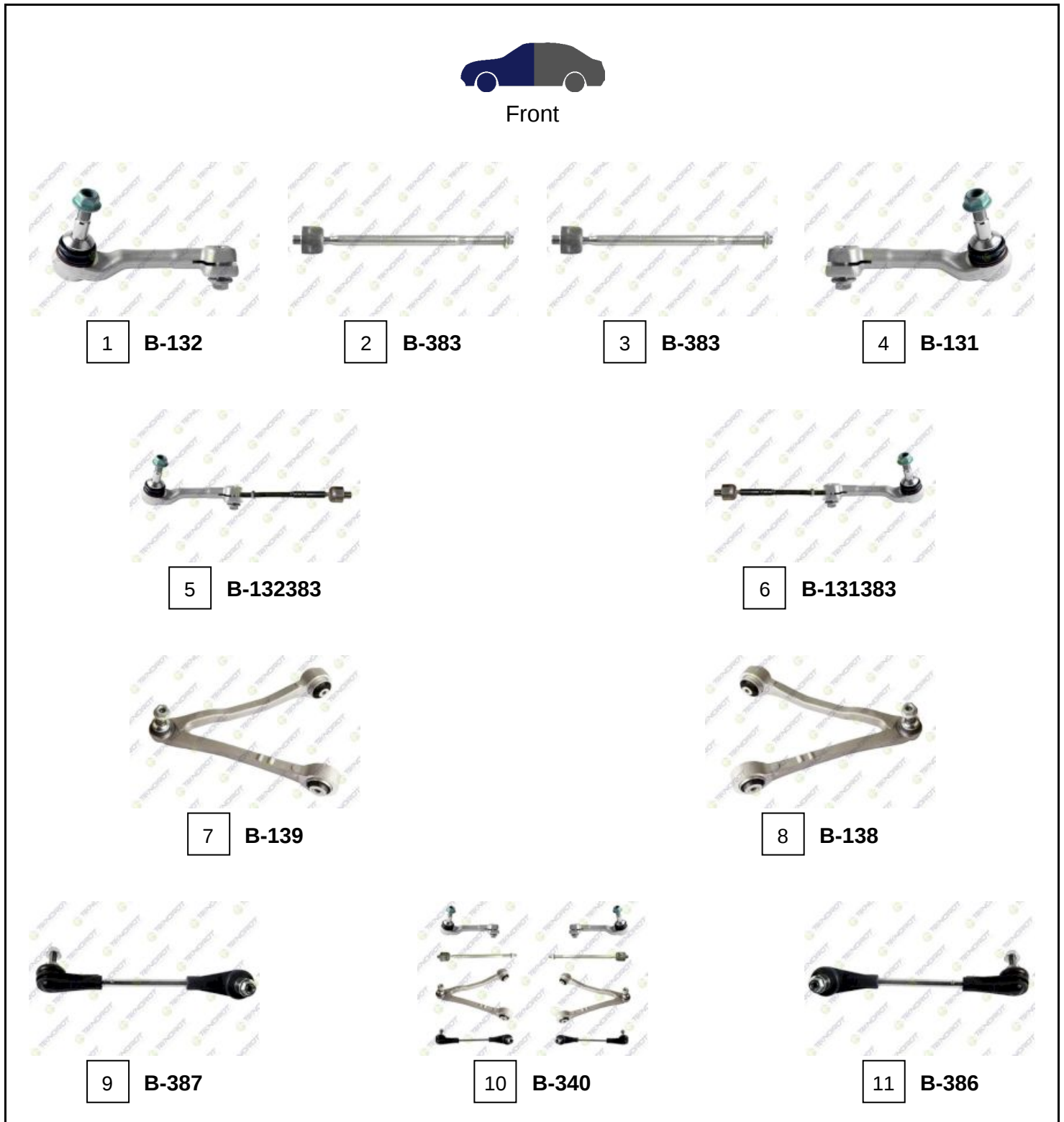


19 V-1046

Part No	Part Description	Part Position	OEM	Notes
V-1031	Steering Tie Rod End	Front	1EA423811B, 1EB422811A	
V-1023	Steering Tie Rod	Front	1EA423810C, 1EB422807A, 2813574, VWR2KA3280BA	
V-1034K	Suspension Ball Joint Kit	Front	1EA407365A, 1EA407365C, 2720963, VWR2KA3395CA	
V-989	Suspension Control Arm and Ball Joint Assembly	Front Left Lower	1EA407151A, 1EA407151E, 1EA407153A	
V-988	Suspension Control Arm and Ball Joint Assembly	Front Right Lower	1EA407152A, 1EA407152E, 1EA407154A	
V-989S	Suspension Control Arm	Front Left Lower	1EA407151A*, 1EA407151E*, 1EA407153A*	
V-988S	Suspension Control Arm	Front Right Lower	1EA407152A*, 1EA407152E*, 1EA407154A*	
V-1036	Suspension Stabilizer Bar Link	Front	1EA411315C, 1EA411315B, 1EA411315B, 1EA411315C, 1ED411315, 1N3411315, 2699263, VWR2KA3B438AA	
V-1068	Lateral Arm	Rear Forward	1EA501529B	
V-1088	Lateral Arm	Rear Upper Rearward	1EA505397B, 1EA505397C, 1ED505397B, 1ED505397A	
V-1098	Lateral Arm	Rear Upper Forward	1EA505323A, 1ED505323A, 1EA505323B	
V-1078	Lateral Arm	Rear Lower Forward	1EA505291A	
V-1047	Suspension Stabilizer Bar Link	Rear Left	1EA505465, 1EA505465A	

V-1046	Suspension Stabilizer Bar Link	Rear Right	1EA505466, 1EA505466A	
--------	--------------------------------	------------	--------------------------	--

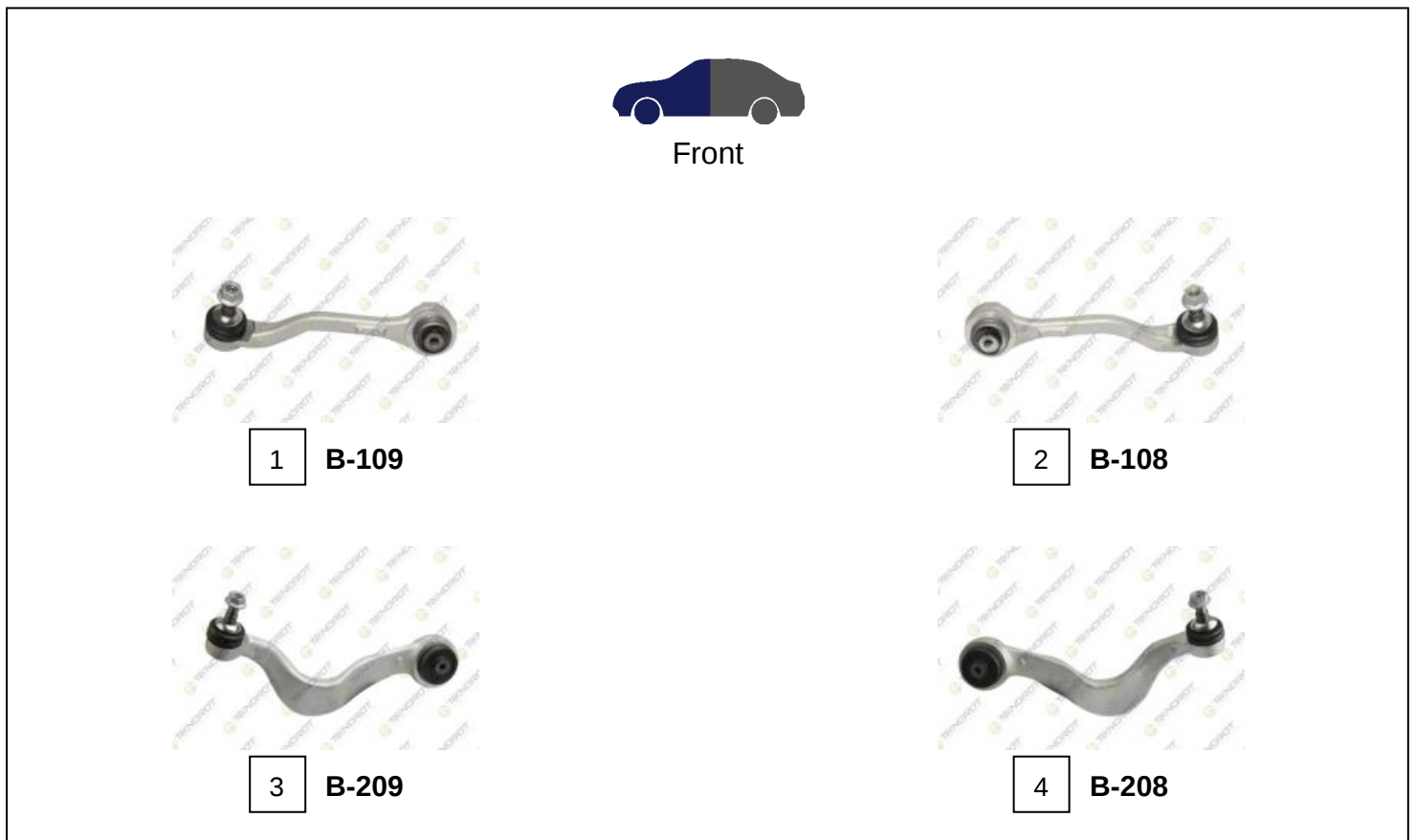
BMW / i3 2014-2021 & I01



Part No	Part Description	Part Position	OEM	Notes
B-132	Steering Tie Rod End	Front Left	32106851411, 6851411	
B-383	Steering Tie Rod	Front	32216851409, 32216851410, 6851409, 6851410	

B-131	Steering Tie Rod End	Front Right	32106851412, 6851412	
B-132383	Steering Tie Rod Assembly	Front Left	32216851409	
B-131383	Steering Tie Rod Assembly	Front Right	32216851410	
B-139	Suspension Control Arm and Ball Joint Assembly	Front Left Lower	31106863739, 31106863733, 31106863739, 6863733, 6863739	Aluminium
B-138	Suspension Control Arm and Ball Joint Assembly	Front Right Lower	31106863740, 31106863734, 6863734, 6863740	Aluminium
B-387	Suspension Stabilizer Bar Link	Front Left	31306862857, 6862857	
B-340	Suspension Control Arm Repair Kit	Front		B-131x1,B-132x1,B-139x1,B-138x1,B-383x2,B-386x1,B-387x1
B-386	Suspension Stabilizer Bar Link	Front Right	31306862858, 6862858	

BMW / i4 2021- & G26





Rear



5 B-117



6 B-116

Part No	Part Description	Part Position	OEM	Notes
B-109	Suspension Control Arm and Ball Joint Assembly	Front Left Lower Rearward	31108837893	Grand Coupe
B-108	Suspension Control Arm and Ball Joint Assembly	Front Right Lower Rearward	31108837894	Grand Coupe
B-209	Suspension Control Arm and Ball Joint Assembly	Front Left Lower Forward	31106895243, 31108869737	Grand Coupe
B-208	Suspension Control Arm and Ball Joint Assembly	Front Right Lower Forward	31106895244, 31108869738	Grand Coupe
B-117	Suspension Stabilizer Bar Link	Rear Left	33506895143, 6895143	
B-116	Suspension Stabilizer Bar Link	Rear Right	33506895144, 6895144	

BMW / i8 2014-2020 & I12/I15



Front



1 B-951



2 B-393



3 B-393



4 B-951



5 **B-951393**



6 **B-951393**



7 **B-910**



8 **BM-BS088**



9 **BM-BS088**



10 **B-910**



11 **B-390**

Part No	Part Description	Part Position	OEM	Notes
B-951	Steering Tie Rod End	Front	32106858673	
B-393	Steering Tie Rod	Front	32106858672	
B-951393	Steering Tie Rod Assembly	Front	32106858672	
B-910	Suspension Control Arm and Ball Joint Assembly	Front Upper	31126775967, 6775967	
BM-BS088	Control Arm Bushing	Front Upper	31126775967*	
B-390	Suspension Stabilizer Bar Link	Front	31306858500, 6858500	

BMW / iX 2021- & I20



Front



1 B-1072



2 B-1053



3 B-1053



4 B-1071



5 B-10721053



6 B-10711053



7 B-1249



8 B-1248



9 B-239



10 B-238



11 B-119



12 B-118



13 B-1289



14 B-1288



15 B-136



16 B-136



Rear



17 B-1107



18 B-1106

Part No	Part Description	Part Position	OEM	Notes
B-1072	Steering Tie Rod End	Front Left	32105A306E7, 32105A2BD07	
B-1053	Steering Tie Rod	Front	32105A306E7, 32105A306E8, 32105A2BD09	
B-1071	Steering Tie Rod End	Front Right	32105A306E8, 32105A2BD08	
B-10721053	Steering Tie Rod Assembly	Front Left	32105A306E7, 32105A2BD07, 32105A2BD09	
B-10711053	Steering Tie Rod Assembly	Front Right	32105A306E8, 32105A2BD08, 32105A2BD09	
B-1249	Suspension Control Arm and Ball Joint Assembly	Front Left Upper	31106883115, 6883115	
B-1248	Suspension Control Arm and Ball Joint Assembly	Front Right Upper	31106883116, 6883116	

B-239	Suspension Control Arm and Ball Joint Assembly	Front Left Upper	31106883831	Mild Hybrid
B-238	Suspension Control Arm and Ball Joint Assembly	Front Right Upper	31106883832	Mild Hybrid
B-119	Suspension Control Arm and Ball Joint Assembly	Front Left Lower	31106878073, 6878073, 6893549, 8833467, 31108841943, 31108833467, 8846963, 31108846963, 31108864693, 8864693	
B-118	Suspension Control Arm and Ball Joint Assembly	Front Right Lower	31106878074, 8833468, 6893550, 31108833468, 6878074, 8846964, 31108841944, 31108846964, 31108864694	
B-1289	Suspension Control Arm and Ball Joint Assembly	Front Left Lower Rearward	31106878081, 31108833465, 8866771, 31108866771, 31108841941, 6878081, 8833465, 8841941	
B-1288	Suspension Control Arm and Ball Joint Assembly	Front Right Lower Rearward	31106878082, 31108833466, 8866772, 31108866772, 31108841942, 6878082, 8833466, 8841942	
B-136	Suspension Stabilizer Bar Link	Front	31306898159, 31305A806C2, 31356896815, 6896815	
B-1107	Suspension Stabilizer Bar Link	Rear Left	33506888789, 6888789	
B-1106	Suspension Stabilizer Bar Link	Rear Right	33506888790, 6888790	

BMW / iX3 2020- & G08



Front



1 **B-1032**



2 **B-1023**



3 **B-1023**



4 **B-1031**



5 **B-1139**



6 **B-1129**



7 **B-1128**



8 **B-1047**



9 **B-1046**



Rear



10 B-1389



11 BM-BS201



12 B-1388



13 BM-BS202



14 B-198



15 B-198



16 B-1026



17 B-1026

Part No	Part Description	Part Position	OEM	Notes
B-1032	Steering Tie Rod End	Front Left	32106871889, 32104A01666, 4A01666, 6871889	
B-1023	Steering Tie Rod	Front	32106880695*, 32106880697*, 32106871884*, 32106871892*, 32104A01665*, 32104A01667*, 32101543907*, 32101543908*, 32105A451A8*, 32105A451A9*	

B-1031	Steering Tie Rod End	Front Right	32106871893, 32104A019D0, 4A019D0, 6871893	
B-1139	Suspension Control Arm and Ball Joint Assembly	Front Left Upper Forward	31106890905, 8854989, 31108854989, 31106890903, 31106870977, 31108854993, 6870977, 8854993, 31106890909, 6890905, 6890903	
B-1129	Suspension Control Arm and Ball Joint Assembly	Front Left Lower Rearward	31106870971, 31106871467, 6870971, 6871467, 33308865615, 8865615	
B-1128	Suspension Control Arm and Ball Joint Assembly	Front Right Lower Rearward	31106870972, 31106871468, 6870972, 6871468, 33308865616, 8865616	
B-1047	Suspension Stabilizer Bar Link	Front Left	31356881091, 31356886035, 31356887271, 6881091, 6887271, 6886035	
B-1046	Suspension Stabilizer Bar Link	Front Right	31356881092, 31356886036, 31356887272, 6881092, 6887272, 6886036	
B-1389	Lateral Arm	Rear Left Upper Forward	33306871005, 33306871497	
BM-BS201	Lateral Arm Bushing	Rear Upper Forward	33306878017*, 33306878018*, 33306871006*, 33306871005*	
B-1388	Lateral Arm	Rear Right Upper Forward	33306871006, 33306871498	
BM-BS202	Lateral Arm Bushing	Rear Upper Forward	33306878017*, 33306878018*, 33306871006*, 33306871005*	
B-198	Lateral Arm	Rear Lower	33306871020, 33306871507	
B-1026	Suspension Stabilizer Bar Link	Rear	33556870702, 6870702	xdrive-plastic version

BMW / i5 2023- & G60/61



Front



1 B-259



2 B-258



3 B-269



4 B-268

Part No	Part Description	Part Position	OEM	Notes
B-259	Suspension Control Arm and Ball Joint Assembly	Front Left Lower	31108833031, 31108841517	
B-258	Suspension Control Arm and Ball Joint Assembly	Front Right Lower	31108833032, 31108841518	
B-269	Suspension Control Arm and Ball Joint Assembly	Front Left Lower Rearward	31108837711	
B-268	Suspension Control Arm and Ball Joint Assembly	Front Right Lower Rearward	31108837712	

BMW / i7 2023- & G70



Front



1 B-288



2 B-288



3 B-279



4 B-278

Part No	Part Description	Part Position	OEM	Notes
B-288	Suspension Control Arm and Ball Joint Assembly	Front Upper	31126898551	
B-279	Suspension Control Arm and Ball Joint Assembly	Front Left Lower Rearward	31106898553	
B-278	Suspension Control Arm and Ball Joint Assembly	Front Right Lower Rearward	31106898554	

BYD / ATTO 3 2022-



Front



1 BY-102



2 BY-113



3 BY-113



4 BY-101



5 BY-104K



6 BY-104K



7 BY-119



8 BY-118



9 BY-106

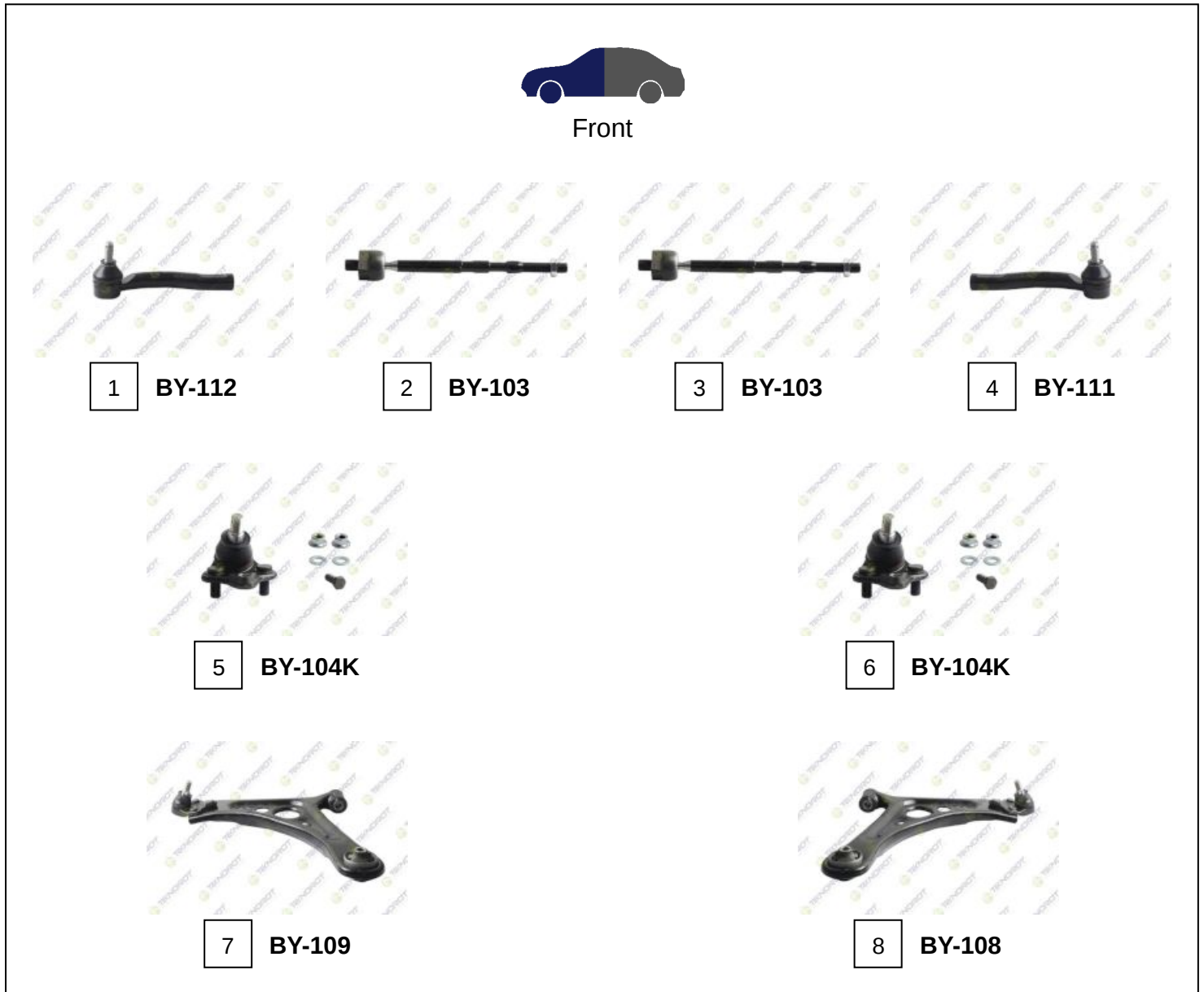


10 BY-106

Part No	Part Description	Part Position	OEM	Notes
BY-102	Steering Tie Rod End	Front Left	SC2E-3401120L, 1463402200	
BY-113	Steering Tie Rod	Front	SC2E-3401010, 1342762500*	
BY-101	Steering Tie Rod End	Front Right	SC2E-3401120R, 1463400400	

BY-104K	Suspension Ball Joint Kit	Front	SC2E-2904500A, 13463174-00, SC2EM2904500, 1345777200	
BY-119	Suspension Control Arm and Ball Joint Assembly	Front Left Lower	SC2E-2904010, 1343798100	
BY-118	Suspension Control Arm and Ball Joint Assembly	Front Right Lower	SC2E-2904020, 1343798400	
BY-106	Suspension Stabilizer Bar Link	Front	SEH-2906100, 1345777100, SC2EM2906020	

BYD / DOLPHIN 2021-





9 **BY-106**



10 **BY-106**

Part No	Part Description	Part Position	OEM	Notes
BY-112	Steering Tie Rod End	Front Left	SC2E-3401120BL, 15119416-00	
BY-103	Steering Tie Rod	Front	EM2E-3401010B, 1365725100*, EM2EUL3401010*, 13303554	
BY-111	Steering Tie Rod End	Front Right	SC2E- 3401120BR, 15119410-00	
BY-104K	Suspension Ball Joint Kit	Front	SC2E-2904500A, 13463174-00, SC2EM2904500, 1345777200	
BY-109	Suspension Control Arm and Ball Joint Assembly	Front Left Lower	EM2E-2904010	
BY-108	Suspension Control Arm and Ball Joint Assembly	Front Right Lower	EM2E-2904020	
BY-106	Suspension Stabilizer Bar Link	Front	SEH-2906100, 1345777100, SC2EM2906020	

CHEVROLET / BOLT EV 2017- & 1st gen



Front



1 **CH-1113**



2 **CH-1113**



3 CH-1107



4 CH-1106

Part No	Part Description	Part Position	OEM	Notes
CH-1113	Steering Tie Rod	Front	42353792	
CH-1107	Suspension Stabilizer Bar Link	Front Left	42704412, 42514933	
CH-1106	Suspension Stabilizer Bar Link	Front Right	42704413	

CHEVROLET / VOLT 2010-2015 & 1st Gen



Front



1 O-511



2 CH-143



3 CH-143



4 O-511



5 CH-149



6 CH-148



7 O-517



8 O-517



9 O-517A



10 O-517A

Part No	Part Description	Part Position	OEM	Notes
O-511	Steering Tie Rod End	Front	13272000, 1609026, 6606031, 13286686, 13278359, 90921856, 13286686, 90921856, 920008, 13396771	
CH-143	Steering Tie Rod	Front	13278358*, 13278358	
CH-149	Suspension Control Arm and Ball Joint Assembly	Front Left Lower	13334022, C13272605	
CH-148	Suspension Control Arm and Ball Joint Assembly	Front Right Lower	13334023, C13272606	
O-517	Suspension Stabilizer Bar Link	Front	13219141, 350617, C13219141	Plastic Type
O-517A	Suspension Stabilizer Bar Link	Front	13219141	Steel Type

CHEVROLET / VOLT 2016-2019 & 2nd Gen



Front



1 O-522



2 O-523



3 O-523



4 O-521



5 O-525



6 O-525



7 CH-1197



8 CH-1196



9 O-527



10 O-526

Part No	Part Description	Part Position	OEM	Notes
O-522	Steering Tie Rod End	Front Left	39008084, 39008084	
O-523	Steering Tie Rod	Front	13464344	
O-521	Steering Tie Rod End	Front Right	39008083, 39008083	
O-525	Suspension Ball Joint	Front Lower	39021472, 39021473, 39089343, 39089342	
CH-1197	Suspension Stabilizer Bar Link	Front Left	42705813	
CH-1196	Suspension Stabilizer Bar Link	Front Right	42705814, 39064481	LT-Model
O-527	Suspension Stabilizer Bar Link	Front Left	39001003, 42705813, 39064480	
O-526	Suspension Stabilizer Bar Link	Front Right	39001004, 39064481	



Front



1 V-1033



2 V-1033



3 V-969



4 V-968



5 V-1034K



6 V-1034K



7 V-969S



8 V-968S



9 V-1036



10 V-1036



Rear



11 V-1088



12 V-1098



13 V-1078



14 V-1047

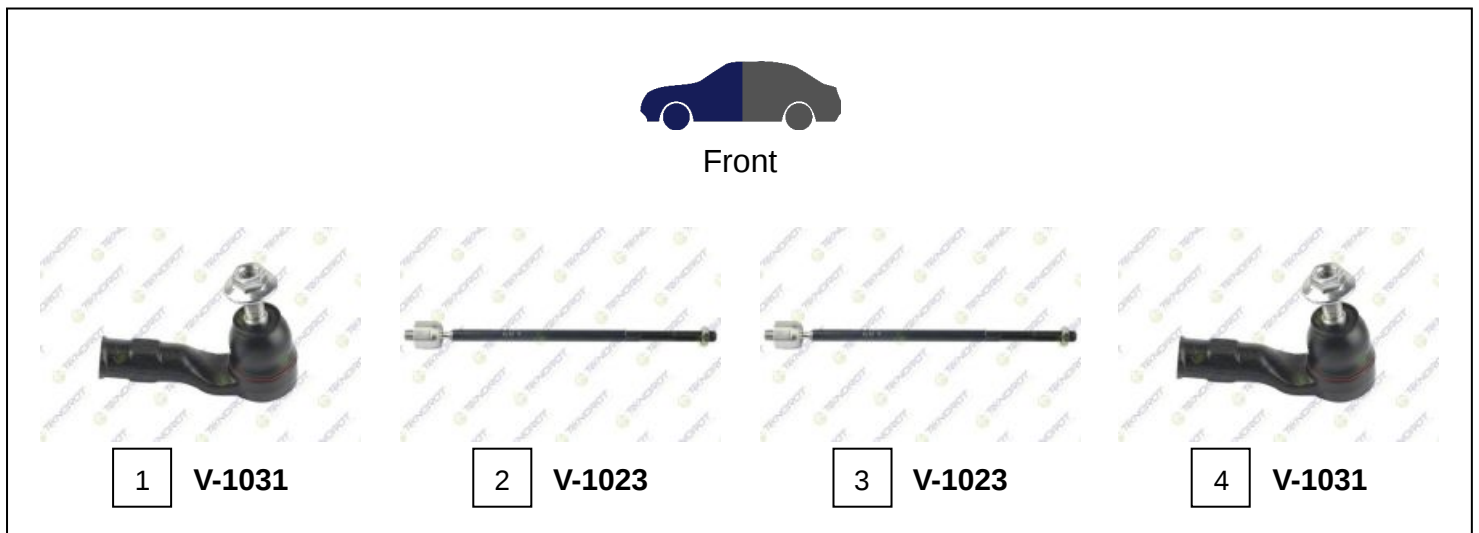


15 V-1046

Part No	Part Description	Part Position	OEM	Notes
V-1033	Steering Tie Rod	Front	1EA423810B	
V-969	Suspension Control Arm and Ball Joint Assembly	Front Left	1EA407151B	
V-968	Suspension Control Arm and Ball Joint Assembly	Front Right	1EA407152B	

V-1034K	Suspension Ball Joint Kit	Front	1EA407365A, 1EA407365C, 2720963, VWR2KA3395CA	
V-969S	Suspension Control Arm	Front Left	1EA407151B*	
V-968S	Suspension Control Arm	Front Right	1EA407152B*	
V-1036	Suspension Stabilizer Bar Link	Front	1EA411315C, 1EA411315B, 1EA411315B, 1EA411315C, 1ED411315, 1N3411315, 2699263, VWR2KA3B438AA	
V-1088	Lateral Arm	Rear Upper Rearward	1EA505397B, 1EA505397C, 1ED505397B, 1ED505397A	
V-1098	Lateral Arm	Rear Upper Forward	1EA505323A, 1ED505323A, 1EA505323B	
V-1078	Lateral Arm	Rear Lower Forward	1EA505291A	
V-1047	Suspension Stabilizer Bar Link	Rear Left	1EA505465, 1EA505465A	
V-1046	Suspension Stabilizer Bar Link	Rear Right	1EA505466, 1EA505466A	

CUPRA / TAVASCAN 2024-





Rear



5 V-1098

Part No	Part Description	Part Position	OEM	Notes
V-1031	Steering Tie Rod End	Front	1EA423811B, 1EB422811A	
V-1023	Steering Tie Rod	Front	1EA423810C, 1EB422807A, 2813574, VWR2KA3280BA	
V-1098	Lateral Arm	Rear Upper Forward	1EA505323A, 1ED505323A, 1EA505323B	

DACIA / SPRING 2020- & BW



Front



1 R-1011



2 R-1013



3 R-1013



4 R-1011



5 N-440



6 R-1029



7 RE-BS132



8 R-1028



9 N-440



10 RE-BS133

Part No	Part Description	Part Position	OEM	Notes
R-1011	Steering Tie Rod End	Front	485206512R	
R-1013	Steering Tie Rod	Front	485216124R, 8201728697	
N-440	Suspension Ball Joint	Front	545001HA0C*, 545011HA0C*, 545003VU0A*, 545013VU0A*, 545009KS1D, 545013512R, 545005FA1C*, 545015FA1C*, 545015RL1B, 545005RL1B, 545001HA5A, 545001HA5D, 545001HA6A, 545011HA5D, 545011HA6A	
R-1029	Suspension Control Arm and Ball Joint Assembly	Front Left	545013512R, 545032428R	
RE-BS132	Control Arm Bushing	Front Inner	545005792R*, 555013187R*, 545013512R*	
R-1028	Suspension Control Arm and Ball Joint Assembly	Front Right	545005792R, 555013187R, 545021303R	
RE-BS133	Control Arm Bushing	Front Outer	545005792R*, 555013187R*, 545013512R*	

FORD / E-TRANSIT 2023-



Front



1 FO-1292



2 FO-1273



3 FO-1273



4 FO-1292



5 SB 957



6 FO-834K



7 FO-834K



8 FO-319

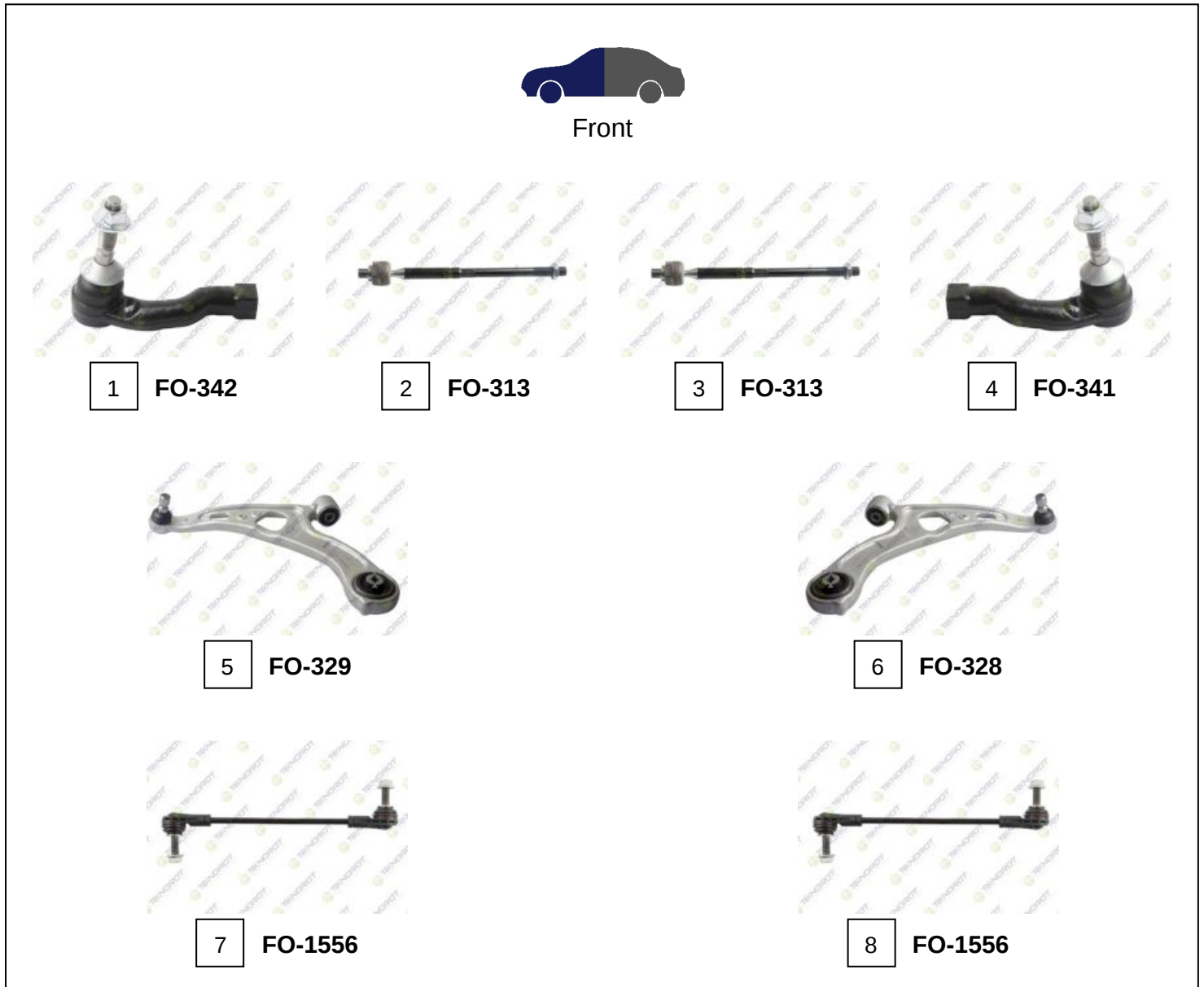


9 FO-318

Part No	Part Description	Part Position	OEM	Notes
FO-1292	Steering Tie Rod End	Front	2227099, KK213289AA, KK263289AA, 2360730	

FO-1273	Steering Tie Rod	Front	2411062, KK213L519AB, 2207131, KK2Z3280D	Only Year From 2019-
SB 957	Control Arm Bushing	Front	BK313A053AD*, BK3133052AD*, BK3Z3078C, LK4Z3078A*, LK4Z3079A*	
FO-834K	Suspension Ball Joint Kit	Front Lower	1417351, KT6C113K209AA, BK3Z3050B, BK3Z3050A, KK3Z3050B	Heavy Duty
FO-319	Suspension Control Arm	Front Left Lower	LK4Z3079A	
FO-318	Suspension Control Arm	Front Right Lower	LK4Z3078A	

FORD / MUSTANG MACH-e 2020- & 1st Gen





Rear



9 FO-309



10 FD-BS372



11 FD-BS372



12 FO-308



13 FO-369



14 FD-BS373



15 FD-BS373



16 FO-368



17 FD-BS379



18 FD-BS379



19 FO-298



20 FO-298



21 FO-156

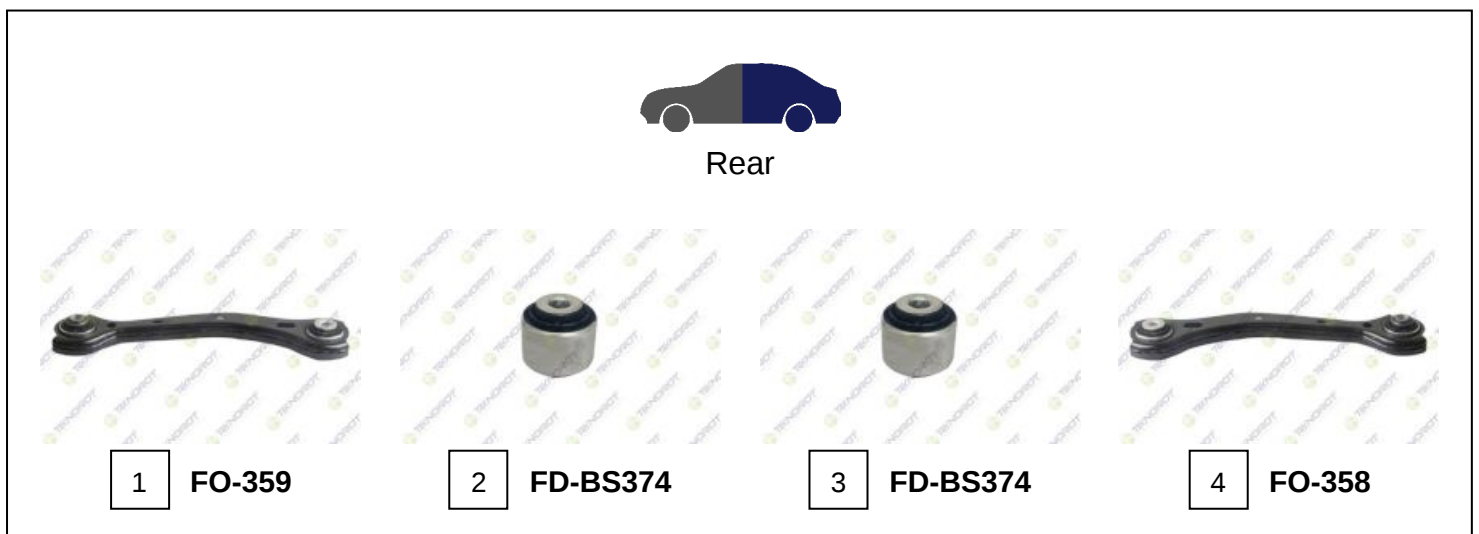


22 FO-156

Part No	Part Description	Part Position	OEM	Notes
FO-342	Steering Tie Rod End	Front Left	LJ9Z3A130B, LJ9C3C437AA	

FO-313	Steering Tie Rod	Front	LJ9Z3280A	
FO-341	Steering Tie Rod End	Front Right	LJ9Z3A130A, LJ9C3C367AA	
FO-329	Suspension Control Arm and Ball Joint Assembly	Front Left Lower	LJ9Z3079A	RWD
FO-328	Suspension Control Arm and Ball Joint Assembly	Front Right Lower	LJ9Z3078A	
FO-1556	Suspension Stabilizer Bar Link	Front	LX6Z5K484E	Mach-E
FO-309	Lateral Arm	Rear Left Upper	LJ9Z5500T	
FD-BS372	Lateral Arm Bushing	Rear	LJ9Z5500F*, LJ9Z5500G*	
FO-308	Lateral Arm	Rear Right Upper	LJ9Z5500S	
FO-369	Lateral Arm	Rear Left	LJ9Z5500G	
FD-BS373	Lateral Arm Bushing	Rear	LJ9Z5500F*, LJ9Z5500G*	
FO-368	Lateral Arm	Rear Right	LJ9Z5500F	
FD-BS379	Lateral Arm Bushing	Rear Upper	LJ9Z5500S*, LJ9Z5500T*	
FO-298	Lateral Arm	Rear Lower	LJ9Z5500E, LJ9C5B928AB, 2478241	
FO-156	Suspension Stabilizer Bar Link	Rear	LJ9Z5C486A	

FORD / MUSTANG MACH-e 2020- & CX727





5 **FD-BS375**



6 **FD-BS375**

Part No	Part Description	Part Position	OEM	Notes
FO-359	Lateral Arm	Rear Left Upper	LJ9Z5500R	
FD-BS374	Lateral Arm Bushing	Rear Upper	LJ9Z5500Q*, LJ9Z5500R*	
FO-358	Lateral Arm	Rear Right Upper	LJ9Z5500Q	
FD-BS375	Lateral Arm Bushing	Rear Upper	LJ9Z5500Q*, LJ9Z5500R*	

HONDA / e 2019-



Front



1 **H-144K**



2 **H-144K**

Part No	Part Description	Part Position	OEM	Notes
H-144K	Suspension Ball Joint Kit	Front	51220THAH11	

HYUNDAI / ELANTRA 2016-2020 & AD



Front



1 HY-625K

Part No	Part Description	Part Position	OEM	Notes
HY-625K	Suspension Ball Joint Kit	Front Left Lower	54500F2000*, 54530F2000*, 54530F2000	

HYUNDAI / IONIQ V 2022- & NE



Front



1 HY-602



2 HY-601



3 HY-1034



4 HY-1034



5 HY-129



6 HY-128



7 HY-1024K



8 HY-129S



9 HY-128S



10 HY-1117



11 HY-1116



Rear



12 HY-118



13 HY-118



14 **HY-1127**



15 **HY-1126**

Part No	Part Description	Part Position	OEM	Notes
HY-602	Steering Tie Rod End	Front Left	56820GI000	
HY-601	Steering Tie Rod End	Front Right	56825GI000	
HY-1034	Suspension Ball Joint	Front	54530L1000	
HY-129	Suspension Control Arm and Ball Joint Assembly	Front Left Lower	54500CV000, 54500GI100	
HY-128	Suspension Control Arm and Ball Joint Assembly	Front Right Lower	54501CV000, 54501GI100	
HY-1024K	Suspension Ball Joint Kit	Front Lower	54501N9000*, 54500N9000*, 54530L1000	RWD / AWD - GT-LINE, LIGHT LONG RANGE, WIND MODEL
HY-129S	Suspension Control Arm	Front Left Lower	54500CV000*	
HY-128S	Suspension Control Arm	Front Right Lower	54501CV000*	
HY-1117	Suspension Stabilizer Bar Link	Front Left	54830GI000	
HY-1116	Suspension Stabilizer Bar Link	Front Right	54831GI000	
HY-118	Lateral Arm	Rear Upper	55250GI000	
HY-1127	Suspension Stabilizer Bar Link	Rear Left	55530GI000	
HY-1126	Suspension Stabilizer Bar Link	Rear Right	55531GI000	

HYUNDAI / IONIQ VI 2022- & CE



Front



1 HY-602



2 HY-601



3 HY-1024K



Rear



4 HY-118



5 HY-118



6 HY-1127



7 HY-1126

Part No	Part Description	Part Position	OEM	Notes
HY-602	Steering Tie Rod End	Front Left	56820GI000	
HY-601	Steering Tie Rod End	Front Right	56825GI000	

HY-1024K	Suspension Ball Joint Kit	Front Lower	54501N9000*, 54500N9000*, 54530L1000	RWD / AWD - GT-LINE, LIGHT LONG RANGE, WIND MODEL
HY-118	Lateral Arm	Rear Upper	55250GI000	
HY-1127	Suspension Stabilizer Bar Link	Rear Left	55530GI000	
HY-1126	Suspension Stabilizer Bar Link	Rear Right	55531GI000	

HYUNDAI / IONIQ 2017-2022 & AE



Front



1 KI-142



2 HY-623



3 HY-623



4 KI-141



5 SB 832



6 SB 832



7 KI-149



8 KI-148



9 HY-620



10 HY-620



Rear



11 HY-189



12 HY-188



13 HY-208



14 HY-208



15 HY-439



16 HY-438



17 HY-1006

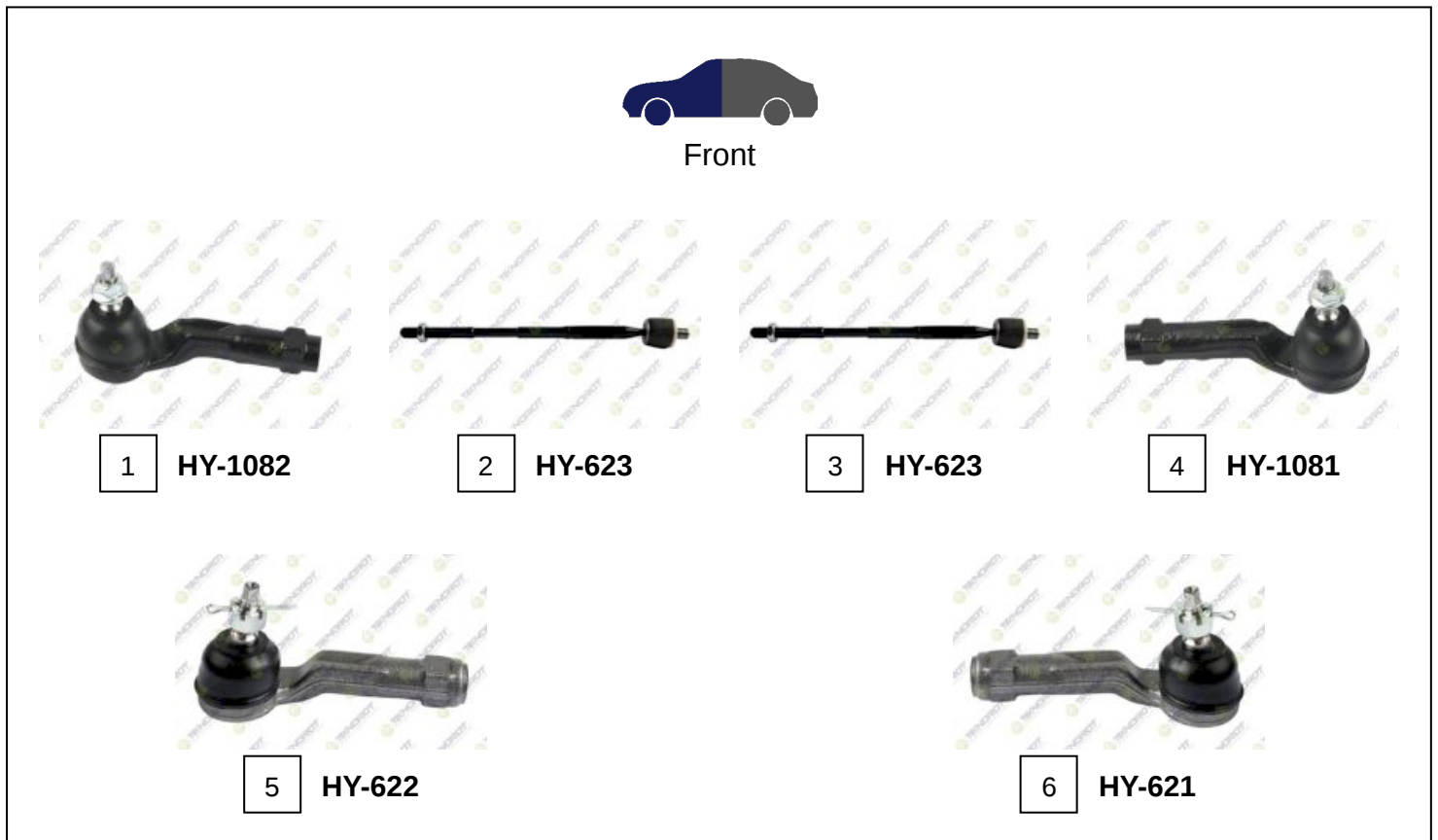


18 HY-1006

Part No	Part Description	Part Position	OEM	Notes
KI-142	Steering Tie Rod End	Front Left	56820G2000, 56820K4000	
HY-623	Steering Tie Rod	Front	56540F2000, 56540F2300	
KI-141	Steering Tie Rod End	Front Right	56825G2000, 56825K4090	
SB 832	Control Arm Bushing	Front Outer	54584A6000, 545844H000	

KI-149	Suspension Control Arm and Ball Joint Assembly	Front Left Lower	54500G2100	Aluminium
KI-148	Suspension Control Arm and Ball Joint Assembly	Front Right Lower	54501G2100	Aluminium
HY-620	Suspension Stabilizer Bar Link	Front	54830F2000, 54830F200	
HY-189	Lateral Arm	Rear Left Lower	55270G2000, 55270G4AA0	
HY-188	Lateral Arm	Rear Right Lower	55280G2000	
HY-208	Lateral Arm	Rear Lower Forward	55260F2BA0, 55250F2BA0	
HY-439	Lateral Arm	Rear Left Lower	55210G2100	
HY-438	Lateral Arm	Rear Right Lower	55220G2100	
HY-1006	Suspension Stabilizer Bar Link	Rear	55530G2000	

HYUNDAI / KONA 2018-2023 & OS





7 HY-625



8 HY-629



9 HY-628



10 HY-624K



11 HY-1007



12 HY-1007



Rear



13 HY-1119



14 HY-BS142



15 HY-1118



16 HY-199



17 HY-198



18 HY-208



19 HY-208



20 HY-1017

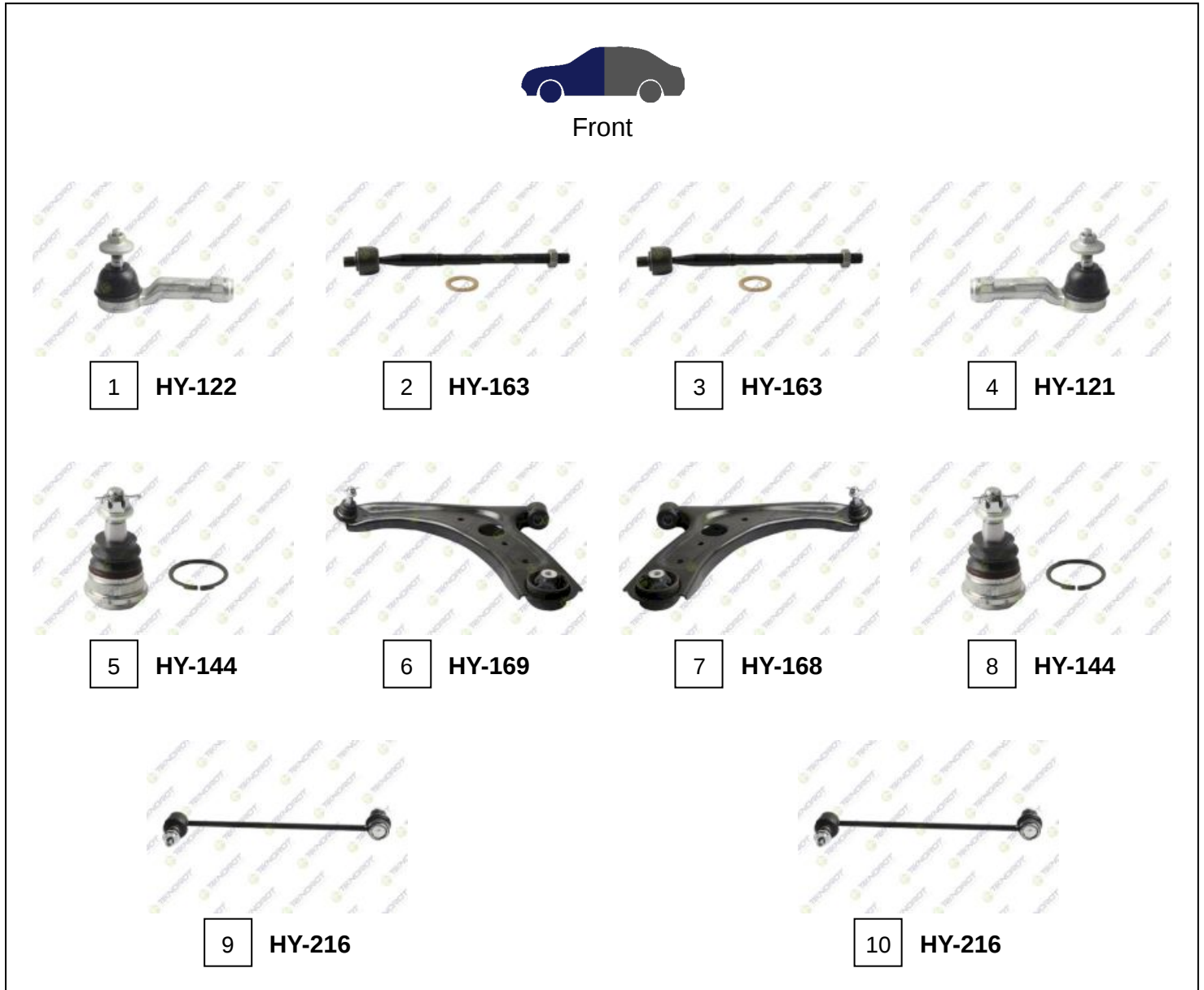


21 HY-1016

Part No	Part Description	Part Position	OEM	Notes
HY-1082	Steering Tie Rod End	Front Left	56820J7000	
HY-623	Steering Tie Rod	Front	56540F2000, 56540F2300	
HY-1081	Steering Tie Rod End	Front Right	56825J7000	
HY-622	Steering Tie Rod End	Front Left	56820F2000, 56820AA000, 56820J7000	
HY-621	Steering Tie Rod End	Front Right	56825F2000, 56825AA000, 56825J7000	
HY-625	Suspension Ball Joint	Front Left Lower	54500F2000*, 54530F2000*, 54530F2000	
HY-629	Suspension Control Arm and Ball Joint Assembly	Front Left Lower	54500F2000, 54500J9000, 54500F3000	
HY-628	Suspension Control Arm and Ball Joint Assembly	Front Right Lower	54501F2000, 54501J9000, 54501F3000	
HY-624K	Suspension Ball Joint Kit	Front Right Lower	54501F2000*, 54530F2100*, 54530F2100	
HY-1007	Suspension Stabilizer Bar Link	Front	54830J9000	
HY-1119	Lateral Arm	Rear Left Upper	55120J9500	
HY-BS142	Lateral Arm Bushing	Rear Upper	55120J9500*, 55121J9500*	
HY-1118	Lateral Arm	Rear Right Upper	55121J9500	
HY-199	Lateral Arm	Rear Left	55270J9500	

HY-198	Lateral Arm	Rear Right	55280J9500	
HY-208	Lateral Arm	Rear Lower Forward	55260F2BA0, 55250F2BA0	
HY-1017	Suspension Stabilizer Bar Link	Rear Left	55530J9500	
HY-1016	Suspension Stabilizer Bar Link	Rear Right	55540J9500	

HYUNDAI / KONA 2023- & SX2





Rear



11 HY-147



12 HY-146

Part No	Part Description	Part Position	OEM	Notes
HY-122	Steering Tie Rod End	Front Left	56820BE000	
HY-163	Steering Tie Rod	Front	56540BE000	
HY-121	Steering Tie Rod End	Front Right	56825BE000	
HY-144	Suspension Ball Joint	Front Lower	54530BE000, 54501BE000*, 54500BE000*	
HY-169	Suspension Control Arm and Ball Joint Assembly	Front Left Lower	54500BE000	
HY-168	Suspension Control Arm and Ball Joint Assembly	Front Right Lower	54501BE000	
HY-216	Suspension Stabilizer Bar Link	Front	54830BE000	
HY-147	Suspension Stabilizer Bar Link	Rear Left	55530BEAA0	
HY-146	Suspension Stabilizer Bar Link	Rear Right	55531BEAA0	

JAGUAR / I-PACE 2018- & 1st Gen



Front



1 JA-501



2 JA-513



3 JA-513



4 JA-501



5 JA-1079



6 JG-BS029



7 JA-1078



8 JA-1029



9 JA-1028



10 JA-999



11 JA-998



12 JA-507



13 JA-507



Rear



14 JA-989



15 JA-988



16 JA-506

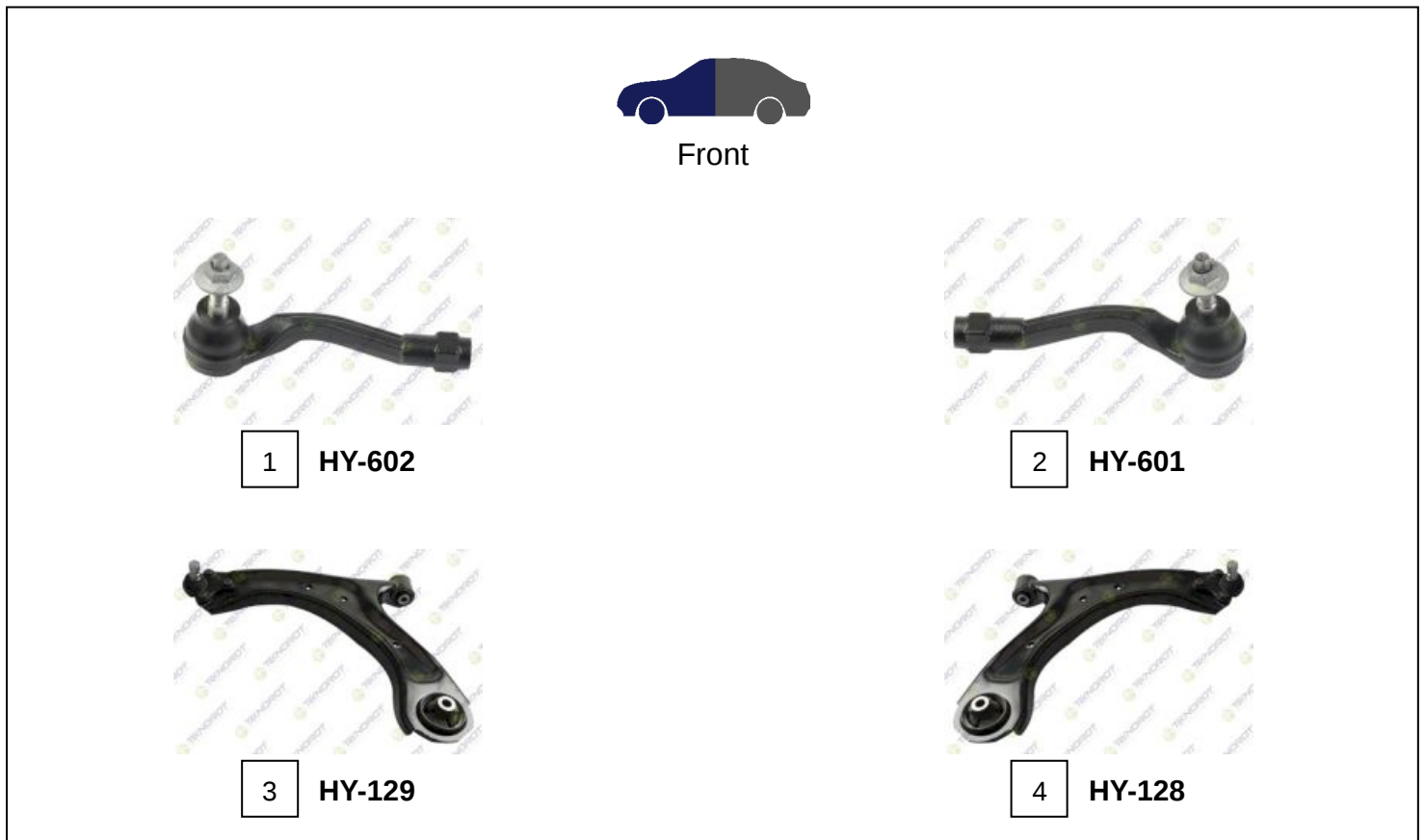


17 JA-506

Part No	Part Description	Part Position	OEM	Notes
JA-501	Steering Tie Rod End	Front	T4A12525, T4A28746, LR090883, LR111480, HK833290AB	
JA-513	Steering Tie Rod	Front	T4A12526, T4A12527, LR090900, HK833280AA, HK833L519AA	
JA-1079	Suspension Control Arm and Ball Joint Assembly	Front Left Upper	T4A27475	
JG-BS029	Control Arm Bushing	Front Upper	T4A27474*, T4A27475*	
JA-1078	Suspension Control Arm and Ball Joint Assembly	Front Right Upper	T4A27474	
JA-1029	Suspension Control Arm and Ball Joint Assembly	Front Left Lower Forward	T4K5805, J9D33C257BB	
JA-1028	Suspension Control Arm and Ball Joint Assembly	Front Right Lower Forward	T4K5804, J9D33C256BB	

JA-999	Suspension Control Arm and Ball Joint Assembly	Front Left Lower	T4A28810, J9D33C255BA, T4A41757, J9D33C255BB, T4K3994, J9D33C255AA, LR141989	From: VIN 61416
JA-998	Suspension Control Arm and Ball Joint Assembly	Front Right Lower	T4A28809, J9D33C254BA, J9D33C254BB, T4A41756, J9D33C254AA, T4K3993, LR141990	From: VIN 61416
JA-507	Suspension Stabilizer Bar Link	Front	T4A8238, LR090522, HK833B438AA, HK833C255A	
JA-989	Lateral Arm	Rear Left Lower Forward	T4K4592, T4K11185	
JA-988	Lateral Arm	Rear Right Lower Forward	T4K4591, T4N22003	
JA-506	Suspension Stabilizer Bar Link	Rear	T4A2038, LR090549, HK835D498AB, HK835D498A	

KIA / EV6 2021-





5 HY-1024K



6 HY-129S



7 HY-128S



Rear



8 HY-118



9 HY-118



10 HY-1127

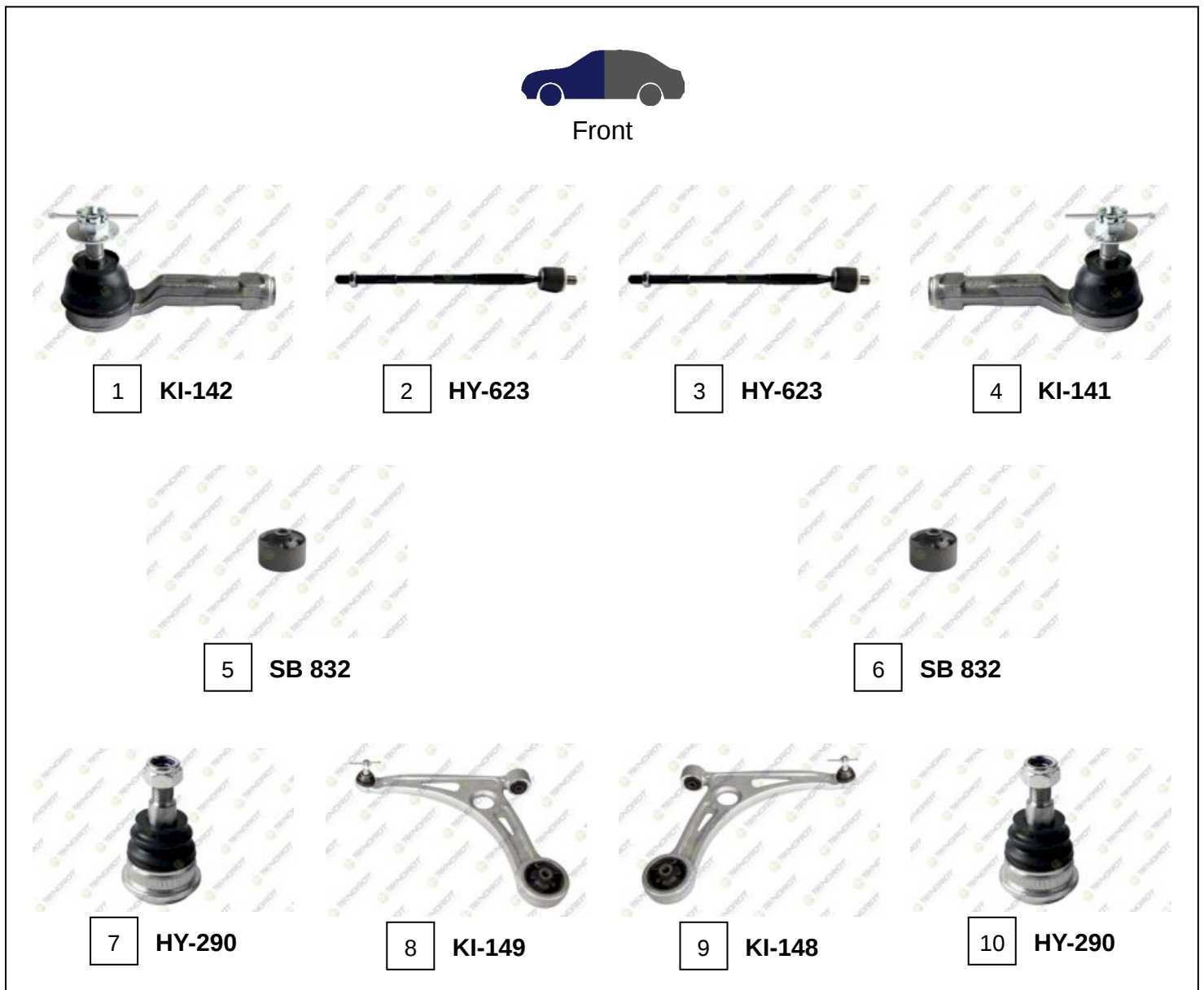


11 HY-1126

Part No	Part Description	Part Position	OEM	Notes
HY-602	Steering Tie Rod End	Front Left	56820GI000	RWD / AWD , LIGHT LONG RANGE, WIND MODEL
HY-601	Steering Tie Rod End	Front Right	56825GI000	RWD / AWD , LIGHT LONG RANGE, WIND MODEL
HY-129	Suspension Control Arm and Ball Joint Assembly	Front Left Lower	54500CV000, 54500GI100	

HY-128	Suspension Control Arm and Ball Joint Assembly	Front Right Lower	54501CV000, 54501GI100	
HY-1024K	Suspension Ball Joint Kit	Front Lower	54501N9000*, 54500N9000*, 54530L1000	RWD / AWD - GT-LINE, LIGHT LONG RANGE, WIND MODEL
HY-129S	Suspension Control Arm	Front Left Lower	54500CV000*	
HY-128S	Suspension Control Arm	Front Right Lower	54501CV000*	
HY-118	Lateral Arm	Rear Upper	55250GI000	
HY-1127	Suspension Stabilizer Bar Link	Rear Left	55530GI000	
HY-1126	Suspension Stabilizer Bar Link	Rear Right	55531GI000	

KIA / NIRO 2017-2022 & DE





11 KI-574



12 KI-574



13 HY-620



14 HY-620



15 KI-436



16 KI-436



Rear



17 HY-189



18 HY-188



19 HY-439



20 HY-438



21 HY-1006

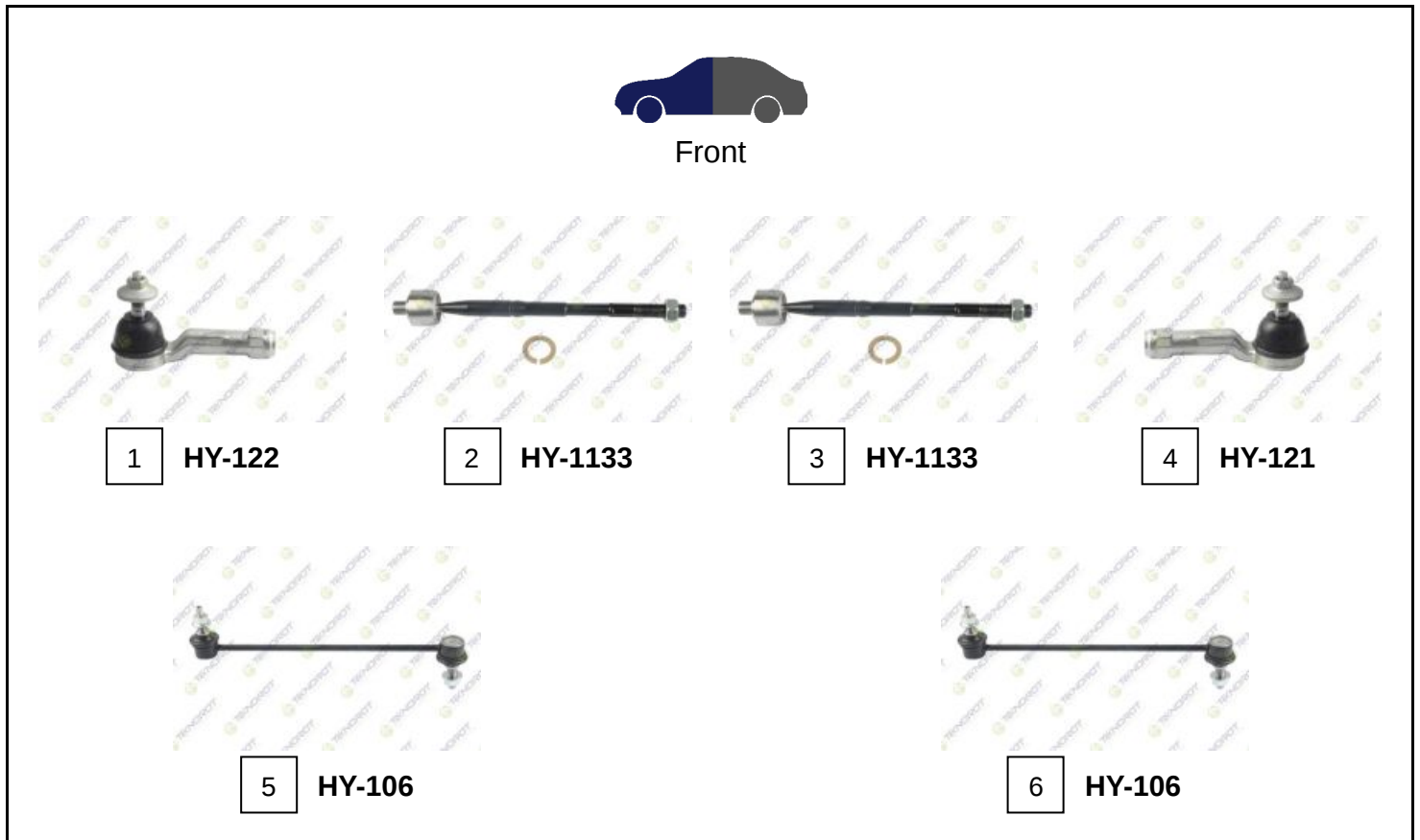


22 HY-1006

Part No	Part Description	Part Position	OEM	Notes
KI-142	Steering Tie Rod End	Front Left	56820G2000, 56820K4000	
HY-623	Steering Tie Rod	Front	56540F2000, 56540F2300	
KI-141	Steering Tie Rod End	Front Right	56825G2000, 56825K4090	
SB 832	Control Arm Bushing	Front Outer	54584A6000, 545844H000	
HY-290	Suspension Ball Joint	Front Lower	545300U000, 545303X000, 54501Q0000, 54500Q0000, 54501M0000, 54500M0000, 54501H5000, 54500H5000, 54501AA100, 54500AA100, 54501H9000*, 54500H9000*	
KI-149	Suspension Control Arm and Ball Joint Assembly	Front Left Lower	54500G2100	Aluminium
KI-148	Suspension Control Arm and Ball Joint Assembly	Front Right Lower	54501G2100	Aluminium
KI-574	Suspension Ball Joint	Front Lower	54500H8000*, 54501H8000*, 54530H8000, 54501H8500, 54500H8500, 54500H8500*	
HY-620	Suspension Stabilizer Bar Link	Front	54830F2000, 54830F200	
KI-436	Suspension Stabilizer Bar Link	Front	548304L000, 54830A6000, 54830H8000	
HY-189	Lateral Arm	Rear Left Lower	55270G2000, 55270G4AA0	
HY-188	Lateral Arm	Rear Right Lower	55280G2000	
HY-439	Lateral Arm	Rear Left Lower	55210G2100	
HY-438	Lateral Arm	Rear Right Lower	55220G2100	

HY-1006	Suspension Stabilizer Bar Link	Rear	55530G2000	
---------	--------------------------------	------	------------	--

KIA / NIRO 2022- & SG2



Part No	Part Description	Part Position	OEM	Notes
HY-122	Steering Tie Rod End	Front Left	56820BE000	
HY-1133	Steering Tie Rod	Front	56540AA000	
HY-121	Steering Tie Rod End	Front Right	56825BE000	
HY-106	Suspension Stabilizer Bar Link	Front	54830AA000	

MERCEDES / EQA 2021- & 1st Gen



Front



1 M-1072



2 M-1093



3 M-1093



4 M-1071



5 M-1219



6 ME-BS296



7 ME-BS295



8 M-1218



9 M-1017



10 M-1017



Rear



11 M-1128



12 M-1128



13 M-1118



14 M-1118



15 M-147



16 M-146

Part No	Part Description	Part Position	OEM	Notes
M-1072	Steering Tie Rod End	Front Left	2473308501, 2473308901, A2473308501, A2473308901	
M-1093	Steering Tie Rod	Front	2473380000, A2473380000	
M-1071	Steering Tie Rod End	Front Right	2473308201, 2473308801, A2473308201, A2473308801	
M-1219	Suspension Control Arm and Ball Joint Assembly	Front Left	2473308702, A2473308702, 2473305500, A2473305500	
ME-BS296	Control Arm Bushing	Front Left	2473308702*	
ME-BS295	Control Arm Bushing	Front Right	2473308802*	
M-1218	Suspension Control Arm and Ball Joint Assembly	Front Right	2473308802, A2473308802, 2473305600, A2473305600	
M-1017	Suspension Stabilizer Bar Link	Front	A2473207603, 2473204200, 2473207503, A2473204200, A2473207503, 2473207603	
M-1128	Lateral Arm	Rear Upper	A2473501700, 2473501700, 247350170064	
M-1118	Lateral Arm	Rear Lower Forward	A2473501800, 2473501800	
M-147	Suspension Stabilizer Bar Link	Rear Left	2433208300, A2433208300	

MERCEDES / EQB 2021- & X243



Front



1 M-1072



2 M-1093



3 M-1093



4 M-1071



5 M-1219



6 M-1218



7 M-1017



8 M-1017



Rear



9 M-1128



10 M-1128



11 M-1118



12 M-1118



13 M-147



14 M-146

Part No	Part Description	Part Position	OEM	Notes
M-1072	Steering Tie Rod End	Front Left	2473308501, 2473308901, A2473308501, A2473308901	
M-1093	Steering Tie Rod	Front	2473380000, A2473380000	
M-1071	Steering Tie Rod End	Front Right	2473308201, 2473308801, A2473308201, A2473308801	
M-1219	Suspension Control Arm and Ball Joint Assembly	Front Left	2473308702, A2473308702, 2473305500, A2473305500	
M-1218	Suspension Control Arm and Ball Joint Assembly	Front Right	2473308802, A2473308802, 2473305600, A2473305600	
M-1017	Suspension Stabilizer Bar Link	Front	A2473207603, 2473204200, 2473207503, A2473204200, A2473207503, 2473207603	
M-1128	Lateral Arm	Rear Upper	A2473501700, 2473501700, 247350170064	
M-1118	Lateral Arm	Rear Lower Forward	A2473501800, 2473501800	
M-147	Suspension Stabilizer Bar Link	Rear Left	2433208300, A2433208300	
M-146	Suspension Stabilizer Bar Link	Rear Right	2433208400, A2433208400	

MERCEDES / EQC 2019-2023 & N293



Front



1 M-782



2 M-783



3 M-783



4 M-781



5 M-941



6 M-940



7 M-1008



8 M-1008



9 M-10092



10 M-10082



11 M-557



12 M-556



Rear



13 M-765



14 SB 188



15 SB 188



16 M-764



17 M-767



18 SB 775



19 SB 775



20 M-766



21 SB 776



22 SB 776



23 SB 800



24 SB 800



25 M-769



26 M-768



27 M-770



28 M-770



29 M-797



30 M-796

Part No	Part Description	Part Position	OEM	Notes
M-782	Steering Tie Rod End	Front Left	2054600005, A2054600005, 2054604702	4-matic
M-783	Steering Tie Rod	Front	2054600405, A2054600405, 2054604802	4-matic
M-781	Steering Tie Rod End	Front Right	2054600105, A2054600105, 2054604602	4-matic
M-941	Suspension Control Arm and Ball Joint Assembly	Front Left Upper	2053305501, A2053305501	
M-940	Suspension Control Arm and Ball Joint Assembly	Front Right Upper	2053305601, A2053305601	
M-1008	Suspension Control Arm and Ball Joint Assembly	Front Lower Rearward	2053304507, 2053306710, A2053306710, A2053304507	4-matic
M-10092	Suspension Control Arm and Ball Joint Assembly	Front Left Lower Forward	2053301705, A2053301705	4-matic
M-10082	Suspension Control Arm and Ball Joint Assembly	Front Right Lower Forward	2053301805, A2053301805	4-matic
M-557	Suspension Stabilizer Bar Link	Front Left	2533230117, A2533230117	
M-556	Suspension Stabilizer Bar Link	Front Right	2533230217, A2533230217	

M-765	Lateral Arm	Rear Left Upper	A2053506103, 2043501506, 2043501506	
SB 188	Lateral Arm Bushing	Rear	1403528065, 2103520365, 1403528665, 1403522965, A1403522965, A1403528065, A1403528665	
M-764	Lateral Arm	Rear Right Upper	2043501606, A2053506203, 2053506203, 2043501606, 2053506203	
M-767	Lateral Arm	Rear Left	2043502106, A2043502106	
SB 775	Lateral Arm Bushing	Rear Upper	2043501506*, 2043503006*, 2043501606*, 2213500606*, 2213500406*	
M-766	Lateral Arm	Rear Right	2043502206, A2043502206, 2043503406	
SB 776	Lateral Arm Bushing	Rear Center	2043502206*, 2043502206*, 2043502106*, 2043502106*	
SB 800	Lateral Arm Bushing	Rear Center	2043502106*, 2043502206*, 2043502206*, 2043502106*	
M-769	Lateral Arm	Rear Left Lower	A2053506503, 2053506503, A2043500553	
M-768	Lateral Arm	Rear Right Lower	A2043500653, 2053506603	
M-770	Lateral Arm	Rear Lower	2043500029, A2043500029, A2043502706, 2043502706	
M-797	Suspension Stabilizer Bar Link	Rear Left	2053260317, A2053260317	
M-796	Suspension Stabilizer Bar Link	Rear Right	2053260417, A2053260417	

MERCEDES / EQE SUV 2022- & X294



Front



1 M-141



2 M-1113



3 M-1113



4 M-141



5 M-1429



6 M-1428



7 M-109



8 M-108



9 M-119



10 M-118



11 M-237



12 M-236



Rear



13 M-1196



14 M-1196

Part No	Part Description	Part Position	OEM	Notes
M-141	Steering Tie Rod End	Front	2964602200, A2964602200	
M-1113	Steering Tie Rod	Front	2064606900, A2064606900	4x2
M-1429	Suspension Control Arm and Ball Joint Assembly	Front Left Upper	2973304300, A2973304300	
M-1428	Suspension Control Arm and Ball Joint Assembly	Front Right Upper	2973304400, A2973304400	
M-109	Suspension Control Arm and Ball Joint Assembly	Front Left Lower	2973305700, A2973305700	
M-108	Suspension Control Arm and Ball Joint Assembly	Front Right Lower	2973305800, A2973305800	
M-119	Suspension Control Arm and Ball Joint Assembly	Front Left Lower	A2973303301, 2973303301, 2973305101, A2973305101	
M-118	Suspension Control Arm and Ball Joint Assembly	Front Right Lower	A2973303401, 2973303401, 2973305201, A2973305201	
M-237	Suspension Stabilizer Bar Link	Front Left	2963231900, A2963202300, A2963231900	
M-236	Suspension Stabilizer Bar Link	Front Right	2963232000, A2963202400, A2963232000	
M-1196	Suspension Stabilizer Bar Link	Rear	2973261600, A2973261600, 297326160064, 2953261400	

MERCEDES / EQE SUV 2022- & X296



Front



1 M-237



2 M-236

Part No	Part Description	Part Position	OEM	Notes
M-237	Suspension Stabilizer Bar Link	Front Left	2963231900, A2963202300, A2963231900	
M-236	Suspension Stabilizer Bar Link	Front Right	2963232000, A2963202400, A2963232000	

MERCEDES / EQE 2022- & V295



Front



1 M-1122



2 M-1143



3 M-1143



4 M-1121



5 M-141



6 M-123



7 M-123



8 M-141



9 M-1429



10 ME-BS329



11 M-1428



12 M-109



13 M-108



14 M-119



15 M-118



16 M-1187



17 M-1187



18 M-1186



19 M-1186



Rear



20 M-1196



21 M-1196

Part No	Part Description	Part Position	OEM	Notes
M-1122	Steering Tie Rod End	Front Left	2974608500, 2974604601, A2974604601	

M-1143	Steering Tie Rod	Front	2974608700	
M-1121	Steering Tie Rod End	Front Right	2974608600, 2974604701, A2974604701	
M-141	Steering Tie Rod End	Front	2964602200, A2964602200	
M-123	Steering Tie Rod	Front	2974600601, A2974600601	AMG Type
M-1429	Suspension Control Arm and Ball Joint Assembly	Front Left Upper	2973304300, A2973304300	
ME-BS329	Control Arm Bushing	Front Upper	2973304400*, 2973304300*, 2143304201*, 2143304101*	
M-1428	Suspension Control Arm and Ball Joint Assembly	Front Right Upper	2973304400, A2973304400	
M-109	Suspension Control Arm and Ball Joint Assembly	Front Left Lower	2973305700, A2973305700	
M-108	Suspension Control Arm and Ball Joint Assembly	Front Right Lower	2973305800, A2973305800	
M-119	Suspension Control Arm and Ball Joint Assembly	Front Left Lower	A2973303301, 2973303301, 2973305101, A2973305101	
M-118	Suspension Control Arm and Ball Joint Assembly	Front Right Lower	A2973303401, 2973303401, 2973305201, A2973305201	
M-1187	Suspension Stabilizer Bar Link	Front Left	2953231300	
M-1186	Suspension Stabilizer Bar Link	Front Right	2953231400	
M-1196	Suspension Stabilizer Bar Link	Rear	2973261600, A2973261600, 297326160064, 2953261400	

MERCEDES / EQS SUV 2022- & V296



Front



1 M-141



2 M-1113



3 M-1113



4 M-141



5 M-1429



6 M-1428



7 M-109



8 M-108



9 M-119

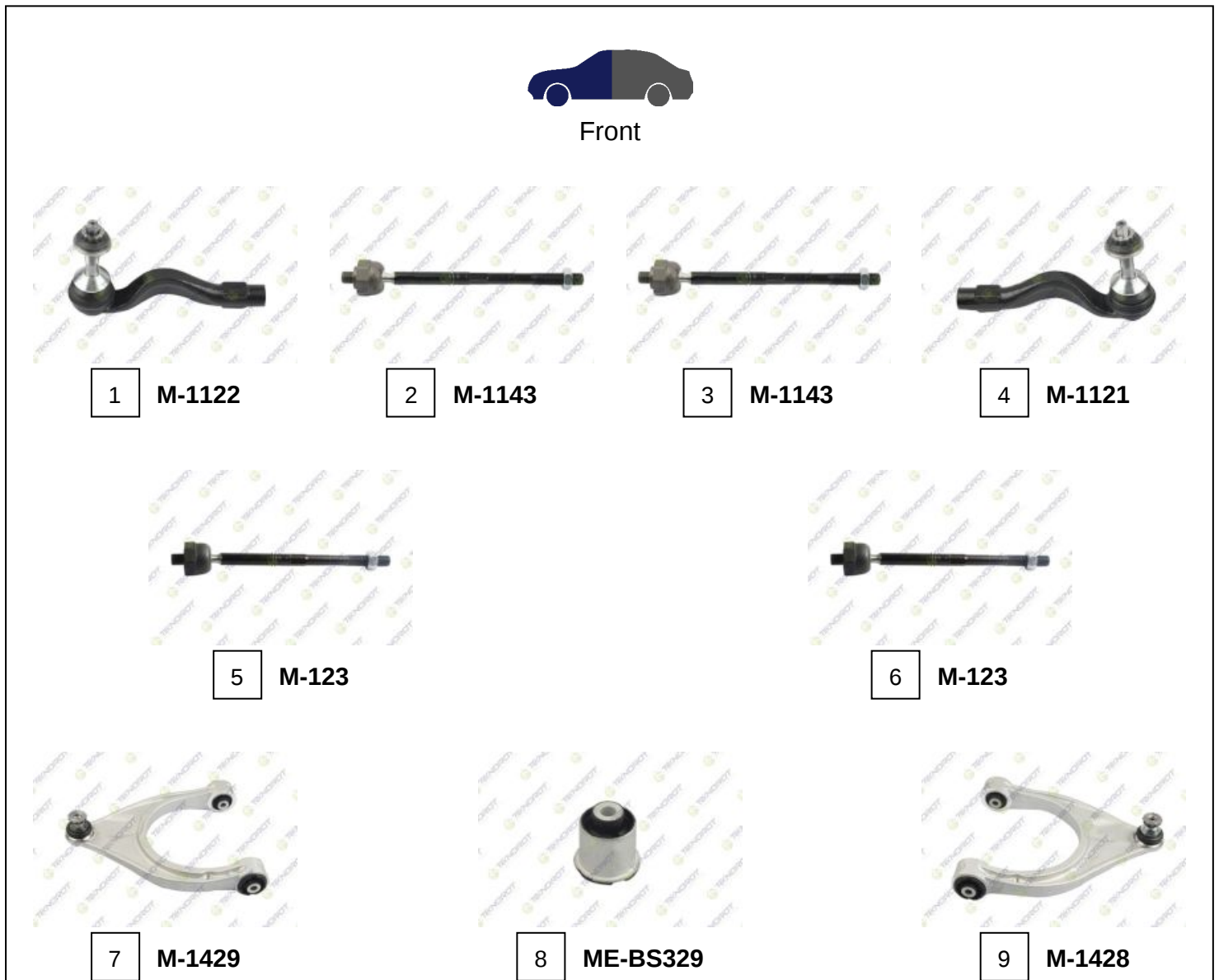


10 M-118

Part No	Part Description	Part Position	OEM	Notes
M-141	Steering Tie Rod End	Front	2964602200, A2964602200	
M-1113	Steering Tie Rod	Front	2064606900, A2064606900	4x2
M-1429	Suspension Control Arm and Ball Joint Assembly	Front Left Upper	2973304300, A2973304300	

M-1428	Suspension Control Arm and Ball Joint Assembly	Front Right Upper	2973304400, A2973304400	
M-109	Suspension Control Arm and Ball Joint Assembly	Front Left Lower	2973305700, A2973305700	
M-108	Suspension Control Arm and Ball Joint Assembly	Front Right Lower	2973305800, A2973305800	
M-119	Suspension Control Arm and Ball Joint Assembly	Front Left Lower	A2973303301, 2973303301, 2973305101, A2973305101	
M-118	Suspension Control Arm and Ball Joint Assembly	Front Right Lower	A2973303401, 2973303401, 2973305201, A2973305201	

MERCEDES / EQS 2021- & V297





10 M-109



11 M-108



12 M-119



13 M-118



14 M-1207

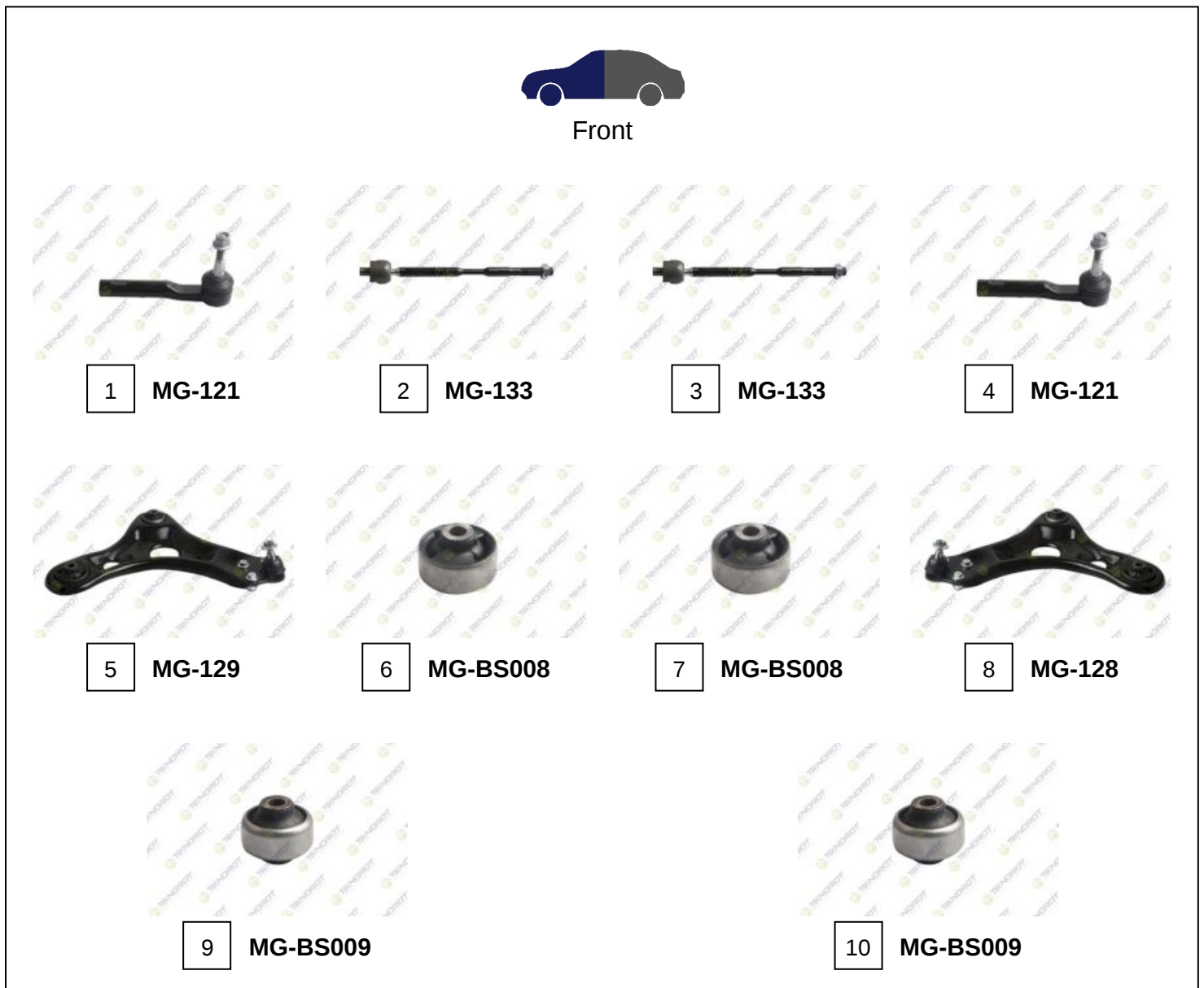


15 M-1206

Part No	Part Description	Part Position	OEM	Notes
M-1122	Steering Tie Rod End	Front Left	2974608500, 2974604601, A2974604601	
M-1143	Steering Tie Rod	Front	2974608700	
M-1121	Steering Tie Rod End	Front Right	2974608600, 2974604701, A2974604701	
M-123	Steering Tie Rod	Front	2974600601, A2974600601	AMG Type
M-1429	Suspension Control Arm and Ball Joint Assembly	Front Left Upper	2973304300, A2973304300	
ME-BS329	Control Arm Bushing	Front Upper	2973304400*, 2973304300*, 2143304201*, 2143304101*	
M-1428	Suspension Control Arm and Ball Joint Assembly	Front Right Upper	2973304400, A2973304400	
M-109	Suspension Control Arm and Ball Joint Assembly	Front Left Lower	2973305700, A2973305700	

M-108	Suspension Control Arm and Ball Joint Assembly	Front Right Lower	2973305800, A2973305800	
M-119	Suspension Control Arm and Ball Joint Assembly	Front Left Lower	A2973303301, 2973303301, 2973305101, A2973305101	
M-118	Suspension Control Arm and Ball Joint Assembly	Front Right Lower	A2973303401, 2973303401, 2973305201, A2973305201	
M-1207	Suspension Stabilizer Bar Link	Front Left	2973200500, 2973232900, A2973232900	
M-1206	Suspension Stabilizer Bar Link	Front Right	2973200600, A2973233000, 2973233000	

MG / 4 2022- & EH32





11 **MG-135K**



12 **MG-134K**



13 **MG-137**



14 **MG-136**

Part No	Part Description	Part Position	OEM	Notes
MG-121	Steering Tie Rod End	Front	10981935	
MG-133	Steering Tie Rod	Front	11191109	EV
MG-129	Suspension Control Arm and Ball Joint Assembly	Front Left	10892051	
MG-BS008	Control Arm Bushing	Front	10892052*, 10892051*	
MG-128	Suspension Control Arm and Ball Joint Assembly	Front Right	10892052	
MG-BS009	Control Arm Bushing	Front	10892052*, 10892051*	
MG-135K	Suspension Ball Joint Kit	Front Left	10892051*	
MG-134K	Suspension Ball Joint Kit	Front Right	10892052*	
MG-137	Suspension Stabilizer Bar Link	Front Left	10994392	
MG-136	Suspension Stabilizer Bar Link	Front Right	10905316	



Front



1 MG-102



2 MG-103



3 MG-103



4 MG-101



5 MG-115K



6 MG-114K



7 MG-109



8 MG-108



9 MG-109S



10 MG-108S



11 MG-106



12 MG-106

Part No

Part Description

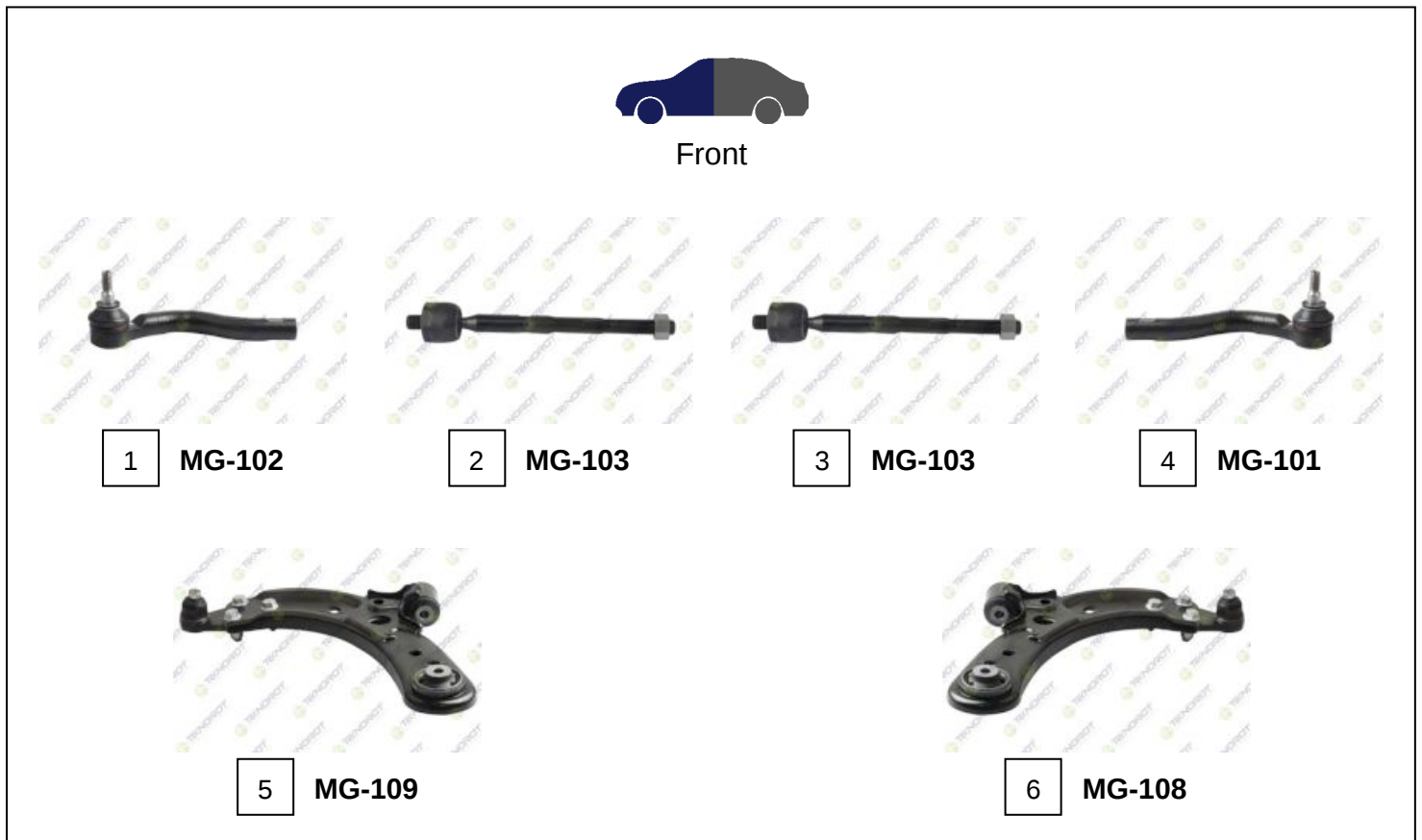
Part Position

OEM

Notes

MG-102	Steering Tie Rod End	Front Left	10353668	Crossover
MG-103	Steering Tie Rod	Front	10353671	Crossover
MG-101	Steering Tie Rod End	Front Right	10353669	Crossover
MG-115K	Suspension Ball Joint Kit	Front Left	10803554*	
MG-114K	Suspension Ball Joint Kit	Front Right	10803555*	
MG-109	Suspension Control Arm and Ball Joint Assembly	Front Left Lower	10803554	
MG-108	Suspension Control Arm and Ball Joint Assembly	Front Right Lower	10803555	
MG-109S	Suspension Control Arm	Front Left Lower	10803554	
MG-108S	Suspension Control Arm	Front Right Lower	10803555	
MG-106	Suspension Stabilizer Bar Link	Front	10227851	

MG / ZS 2024-





7 MG-106



8 MG-106

Part No	Part Description	Part Position	OEM	Notes
MG-102	Steering Tie Rod End	Front Left	10353668	Crossover
MG-103	Steering Tie Rod	Front	10353671	Crossover
MG-101	Steering Tie Rod End	Front Right	10353669	Crossover
MG-109	Suspension Control Arm and Ball Joint Assembly	Front Left Lower	10803554	
MG-108	Suspension Control Arm and Ball Joint Assembly	Front Right Lower	10803555	
MG-106	Suspension Stabilizer Bar Link	Front	10227851	

NISSAN / JUKE 2010-2019 & F15



Front



1 N-1042

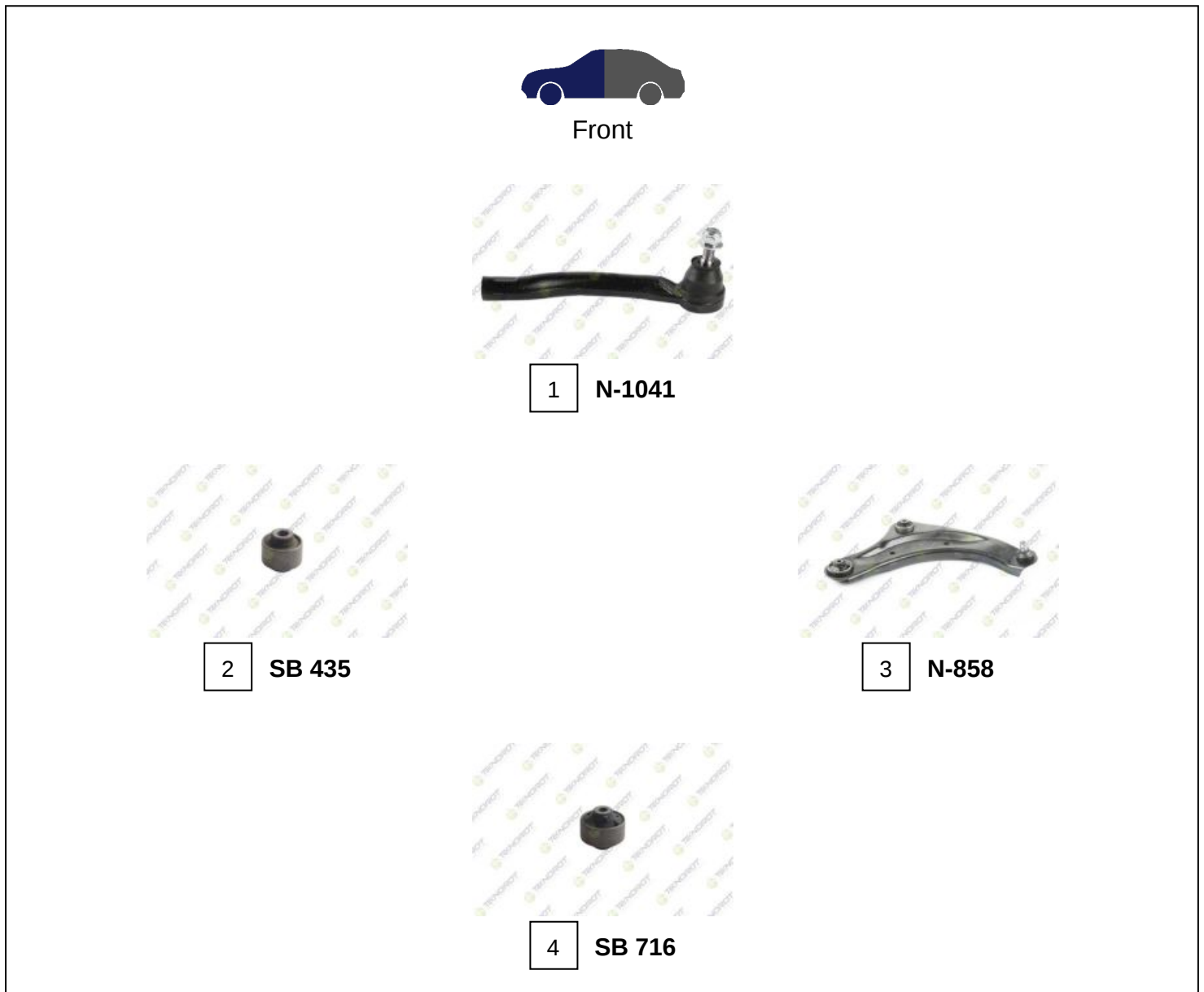


2 N-859

Part No	Part Description	Part Position	OEM	Notes
---------	------------------	---------------	-----	-------

N-1042	Steering Tie Rod End	Front Left	D86403SG1A, 486404FJ0A, 486403SG1A, D86401KA0A, D86404FJ0A, D86403RA1A, D8F403SG1A	
N-859	Suspension Control Arm and Ball Joint Assembly	Front Left	545011KA0B, 545011KA1B, 545011KA0A, 545011KK0B, 545011KK0A, 545015SN1A, 54501BA60A, 545013YW0A, 545014DA0A	

NISSAN / LEAF 2011-2017 & ZE0





5 N-1005



6 N-1249



7 N-1248



8 N-1005



9 N-856



10 N-856



11 N-856A



12 N-856A

Part No	Part Description	Part Position	OEM	Notes
N-1041	Steering Tie Rod End	Front Right	D85203SG1A, 485204FJ0A, D85203SG1A, D8E203SG1A	
SB 435	Control Arm Bushing	Front Right Inner	545001KA0B*, 545011KA0B*	
N-858	Suspension Control Arm and Ball Joint Assembly	Front Right	545001KA0B, 545001KA1B, 545001KA0A, 545001KK0B, 545001KK0A, 545005SN1A, 54500BA60A, 545003YW0A, 545004DA0A	
SB 716	Control Arm Bushing	Front Right Inner	545001KA0B*, 54570BB00A*, 545703DA1B, 545703DA2A	
N-1005	Suspension Ball Joint	Front Lower	545009AM1A*, 545019AM1A*, 545003NF0A*, 545013NF0A*, 545004FU0A*, 545014FU0A*	

N-1249	Suspension Control Arm and Ball Joint Assembly	Front Left Lower	545013NF0A	
N-1248	Suspension Control Arm and Ball Joint Assembly	Front Right Lower	545003NF0A	
N-856	Suspension Stabilizer Bar Link	Front	54618CY00A, 546183NF0A, 54618EN000	
N-856A	Suspension Stabilizer Bar Link	Front	54618CY00A, 546183NF0A, 54618EN000	

NISSAN / LEAF 2018-2024 & ZE1





11 CH-1036



12 CH-1036



13 N-856



14 N-856



15 N-856A



16 N-856A

Part No	Part Description	Part Position	OEM	Notes
N-1042	Steering Tie Rod End	Front Left	D86403SG1A, 486404FJ0A, 486403SG1A, D86401KA0A, D86404FJ0A, D86403RA1A, D8F403SG1A	
CH-1033	Steering Tie Rod	Front	485213SG1A, D85211KE1A, D85213RA1A	
N-1041	Steering Tie Rod End	Front Right	D85203SG1A, 485204FJ0A, D85203SG1A, D8E203SG1A	
N-1005	Suspension Ball Joint	Front Lower	545009AM1A*, 545019AM1A*, 545003NF0A*, 545013NF0A*, 545004FU0A*, 545014FU0A*	
N-1259	Suspension Control Arm and Ball Joint Assembly	Front Left Lower	545014FU0A	
N-1258	Suspension Control Arm and Ball Joint Assembly	Front Right Lower	545004FU0A	

N-854	Suspension Ball Joint	Front Lower	545011KA0B*, 545001KA0B*, 54500EL000, 19317748, 19317873, 545003SH1A, 545003SH2B, 545013SH1A, 545013SH2B
CH-1036	Suspension Stabilizer Bar Link	Front	546189AM1A, 19316692, 546189AM1A, 54618BA60A
N-856	Suspension Stabilizer Bar Link	Front	54618CY00A, 546183NF0A, 54618EN000
N-856A	Suspension Stabilizer Bar Link	Front	54618CY00A, 546183NF0A, 54618EN000

OPEL / CORSA E 2019-





8 P-1037



9 P-1036

Part No	Part Description	Part Position	OEM	Notes
O-1002	Steering Tie Rod End	Front Left	1669648580	
O-1003	Steering Tie Rod	Front	1648322280, 155255488	
O-1001	Steering Tie Rod End	Front Right	1669648480	
O-1109	Suspension Control Arm and Ball Joint Assembly	Front Left	9831683580	ELECTRIC DRIVE TRAIN
O-1108	Suspension Control Arm and Ball Joint Assembly	Front Right	9831621480	ELECTRIC DRIVE TRAIN
P-1034K	Suspension Ball Joint Kit	Front	9824626780, 9831682780*, 9831682580*	
P-1037	Suspension Stabilizer Bar Link	Front Left	9836849580	
P-1036	Suspension Stabilizer Bar Link	Front Right	9836842480	

OPEL / CORSA 2019- & F



Front



1 O-1002



2 O-1003



3 O-1003



4 O-1001



5 O-1049



6 OP-BS140



7 O-1048



8 OP-BS141



9 O-1014K



10 O-1014K



11 O-1049S



12 O-1048S



13 O-1016




14 O-1016


Part No	Part Description	Part Position	OEM	Notes
O-1002	Steering Tie Rod End	Front Left	1669648580	
O-1003	Steering Tie Rod	Front	1648322280, 155255488	
O-1001	Steering Tie Rod End	Front Right	1669648480	

O-1049	Suspension Control Arm and Ball Joint Assembly	Front Left	9831626480	
OP-BS140	Control Arm Bushing	Front Inner	9832039280*, 9831626480*	
O-1048	Suspension Control Arm and Ball Joint Assembly	Front Right	9832039280	
OP-BS141	Control Arm Bushing	Front Outer	9832039280*, 9831626480*	
O-1014K	Suspension Ball Joint Kit	Front	9832039280*, 9831626480*, 9824626380, 9831621480*, 9831683580*	
O-1049S	Suspension Control Arm	Front Left	9831626480*	
O-1048S	Suspension Control Arm	Front Right	9832039280*	
O-1016	Suspension Stabilizer Bar Link	Front	9824652580	


PEUGEOT / E-208 2019- & P21




Front




1 **O-1109**



2 **O-1108**



3 **P-1037**



4 **P-1036**

Part No	Part Description	Part Position	OEM	Notes
---------	------------------	---------------	-----	-------

O-1109	Suspension Control Arm and Ball Joint Assembly	Front Left	9831683580	ELECTRIC DRIVE TRAIN
O-1108	Suspension Control Arm and Ball Joint Assembly	Front Right	9831621480	ELECTRIC DRIVE TRAIN
P-1037	Suspension Stabilizer Bar Link	Front Left	9836849580	
P-1036	Suspension Stabilizer Bar Link	Front Right	9836842480	

POLESTAR / 2 2020-2023



Front



1 VO-862



2 VO-861



3 VO-847



4 VO-847



Rear



5 VO-846

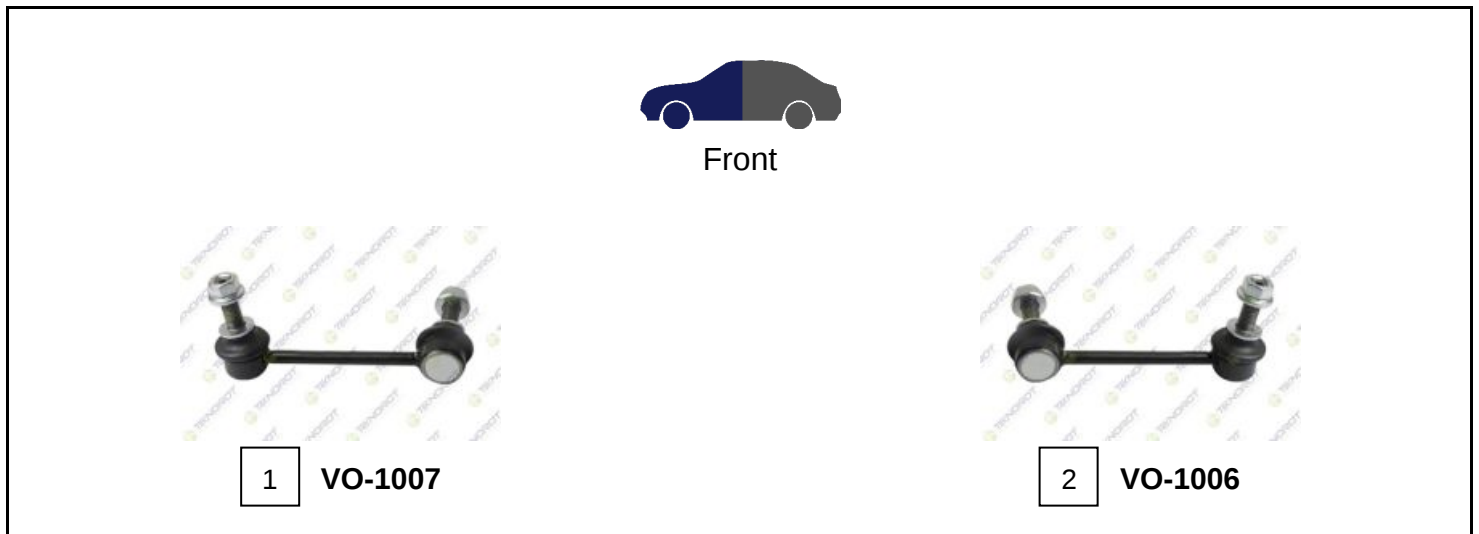


6 VO-846

Part No	Part Description	Part Position	OEM	Notes
---------	------------------	---------------	-----	-------

VO-862	Steering Tie Rod End	Front Left	32221545, 32283512, 31476748, 32283511, 8889500543, 8888331394, 861896, 31476748, 32283511	
VO-861	Steering Tie Rod End	Front Right	32221546, 32283514, 31476749, 32283513, 8889500558, 8888331399, 861897, 31476749, 32283513	
VO-847	Suspension Stabilizer Bar Link	Front	32221271, 32344015, 31658405, 4015011500	CH -3129, CH 3130-
VO-846	Suspension Stabilizer Bar Link	Rear	32221272, 32221469	Plastic

POLESTAR / 3 2024-



Part No	Part Description	Part Position	OEM	Notes
VO-1007	Suspension Stabilizer Bar Link	Front Left	32346836, 32269349	
VO-1006	Suspension Stabilizer Bar Link	Front Right	32346837, 32269348	

PORSCHE / TAYCAN 2019- & 1st Gen



Front



1 PO-532



2 PO-513



3 PO-513



4 PO-531



5 PO-547



6 PO-546



Rear



7 PO-568

Part No	Part Description	Part Position	OEM	Notes
PO-532	Steering Tie Rod End	Front Left	9J1423811B, 9J1423811A	
PO-513	Steering Tie Rod	Front	971423810, 971423810B	
PO-531	Steering Tie Rod End	Front Right	9J1423812A, 9J1423812B	
PO-547	Suspension Stabilizer Bar Link	Front Left	9J1411317B, 9J1411317A, 9J1411317C	
PO-546	Suspension Stabilizer Bar Link	Front Right	9J1411318B, 9J1411318A, 9J1411318C	

RENAULT / KWID 2017- & BW



Front



1 R-1011



2 R-1013



3 R-1013



4 R-1011



5 N-440



6 R-1029



7 RE-BS132



8 R-1028



9 N-440



10 RE-BS133



11 R-970



12 R-980

Part No	Part Description	Part Position	OEM	Notes
R-1011	Steering Tie Rod End	Front	485206512R	
R-1013	Steering Tie Rod	Front	485216124R, 8201728697	
N-440	Suspension Ball Joint	Front	545001HA0C*, 545011HA0C*, 545003VU0A*, 545013VU0A*, 545009KS1D, 545013512R, 545005FA1C*, 545015FA1C*, 545015RL1B, 545005RL1B, 545001HA5A, 545001HA5D, 545001HA6A, 545011HA5D, 545011HA6A	
R-1029	Suspension Control Arm and Ball Joint Assembly	Front Left	545013512R, 545032428R	
RE-BS132	Control Arm Bushing	Front Inner	545005792R*, 555013187R*, 545013512R*	
R-1028	Suspension Control Arm and Ball Joint Assembly	Front Right	545005792R, 555013187R, 545021303R	
RE-BS133	Control Arm Bushing	Front Outer	545005792R*, 555013187R*, 545013512R*	
R-970	Suspension Control Arm Repair Kit	Front		R-1011 x2 / R-1013 x2 / N-440 x2
R-980	Suspension Control Arm Repair Kit	Front		R-1011,R-1023,N-440

RENAULT / MEGANE E-TECH 2022-



Front



1 R-972



2 R-983



3 R-983



4 R-971



5 R-979



6 R-978



7 R-996



8 R-996

Part No	Part Description	Part Position	OEM	Notes
R-972	Steering Tie Rod End	Front Left	486403241R	
R-983	Steering Tie Rod	Front	485215536R	
R-971	Steering Tie Rod End	Front Right	485203801R	
R-979	Suspension Control Arm and Ball Joint Assembly	Front Left	545015MZ0A	
R-978	Suspension Control Arm and Ball Joint Assembly	Front Right	545005MZ0A	
R-996	Suspension Stabilizer Bar Link	Front	546185MP0A	

RENAULT / ZOE 2012-2024 & 1st Gen



Front



1 R-772



2 R-773



3 R-773



4 R-771



5 R-585



6 R-585



7 R-779



8 R-778



9 N-420

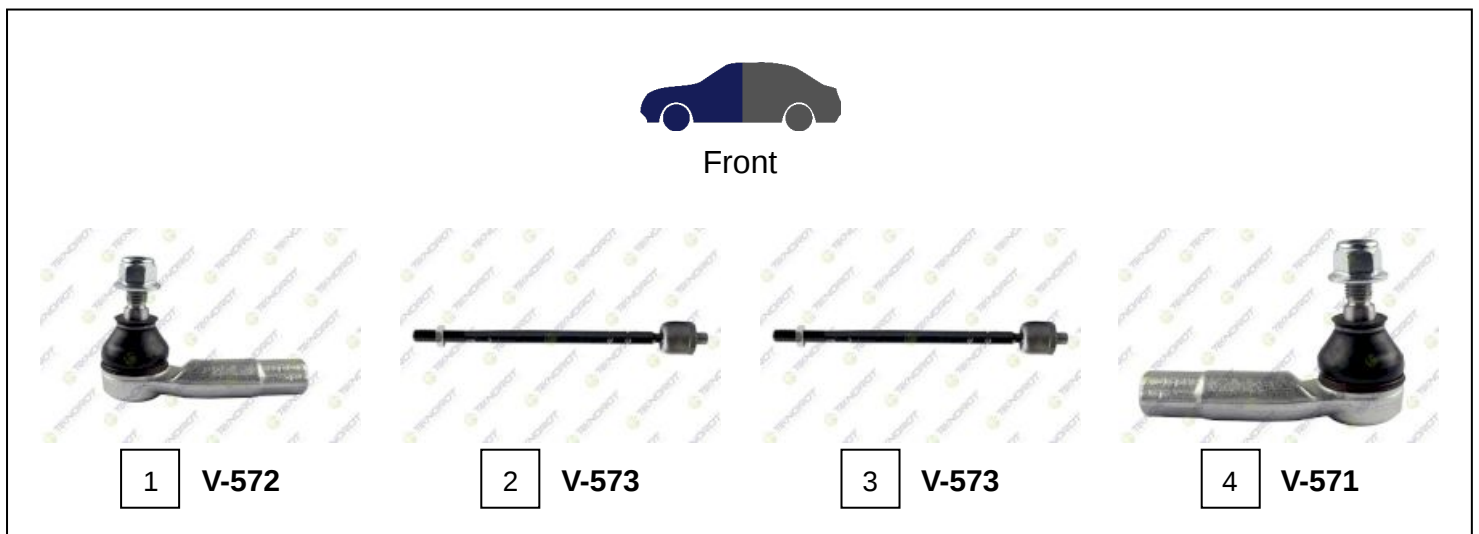


10 N-420

Part No	Part Description	Part Position	OEM	Notes
R-772	Steering Tie Rod End	Front Left	485200368R, 8660005250	
R-773	Steering Tie Rod	Front	485211071R, 485213221R, 485211375R, 8660005203, 482030586R	

R-771	Steering Tie Rod End	Front Right	485208355R, 8660005235	
R-585	Suspension Ball Joint	Front	8200298455, 8200298455S, 401604793R, 401605723R, 401609626R, 545040131R, 545045743R, 545048658R, 545053170R, 545055165R, 545059335R, 6040096057	
R-779	Suspension Control Arm and Ball Joint Assembly	Front Left Lower	545050510R, 545055711R, 545050399R, 545052354R, 8660005376	
R-778	Suspension Control Arm and Ball Joint Assembly	Front Right Lower	545046817R, 545048506R, 545049968R, 545046162R, 8660005377	
N-420	Suspension Stabilizer Bar Link	Front	54618AX600, 551107916R, 8200127308, 54618BC40A, 546189U00A, 551100748R, 551108147R, 551107041R, 8200605381	

SEAT / e-Mii 2020- & 1st Gen





5 V-579



6 V-578



7 SK-424K



8 V-579S



9 V-578S



10 A-856

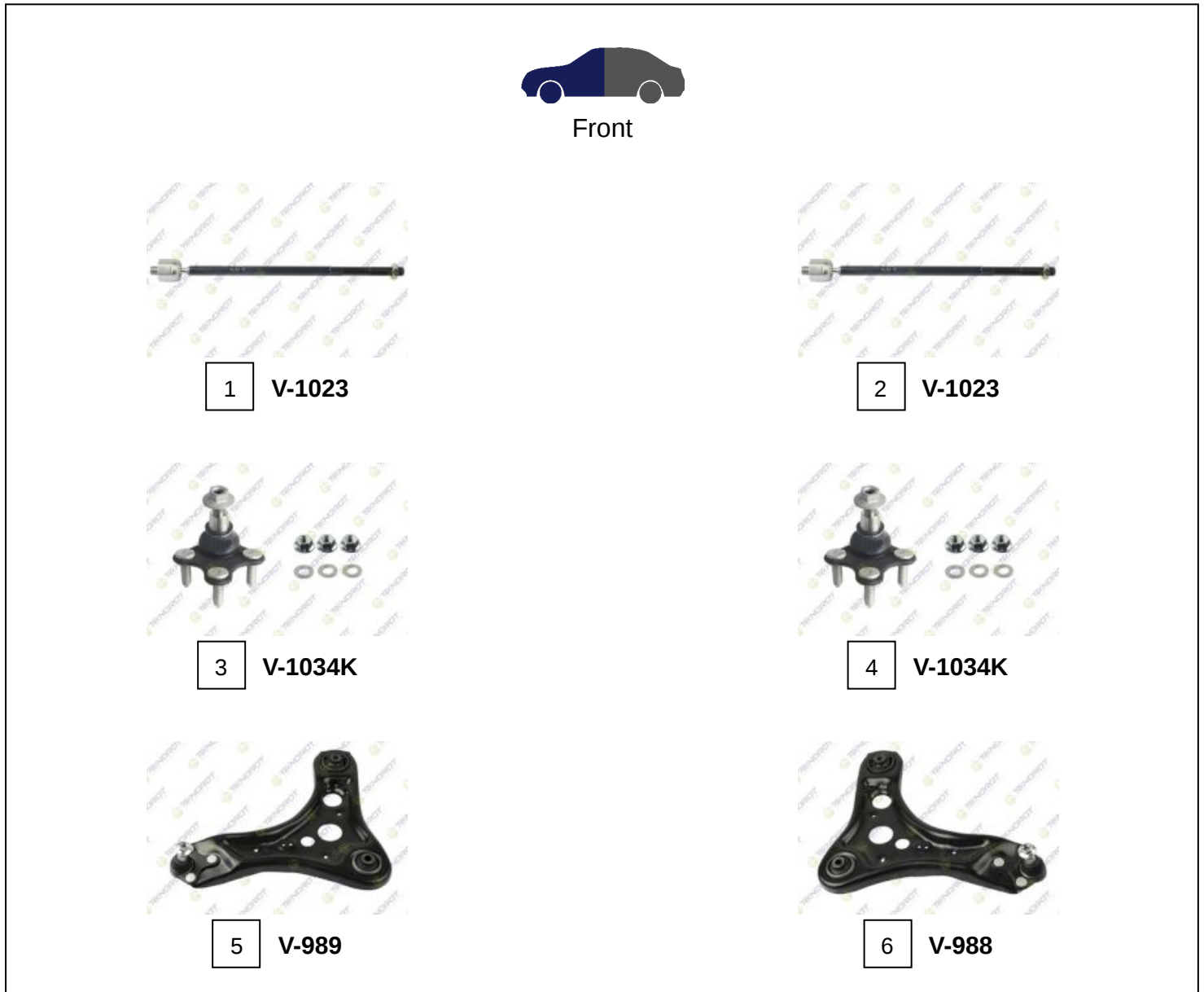


11 A-856

Part No	Part Description	Part Position	OEM	Notes
V-572	Steering Tie Rod End	Front Left	1S0423811A	
V-573	Steering Tie Rod	Front	1S0423810A	
V-571	Steering Tie Rod End	Front Right	1S0423812A	
V-579	Suspension Control Arm and Ball Joint Assembly	Front Left Lower	1S0407151*, 1S0407151	
V-578	Suspension Control Arm and Ball Joint Assembly	Front Right Lower	1S0407152*, 1S0407152	

SK-424K	Suspension Ball Joint Kit	Front Right Lower	5U0407366A, 6R0407366, 6R0407366B, 5U0407366, 6R0407366A, 6RD407366	
V-579S	Suspension Control Arm	Front Left Lower	1S0407151	
V-578S	Suspension Control Arm	Front Right Lower	1S0407152	
A-856	Suspension Stabilizer Bar Link	Front	6Q0411315N, 2Q0411315A, 2Q0411315B, 6Q0411315B, 6C0411315	

SKODA / ELROQ 2025-





7 V-989S



8 V-988S



9 V-1036



10 V-1036



Rear



11 V-1088



12 V-1098



13 V-1047

Part No

Part Description

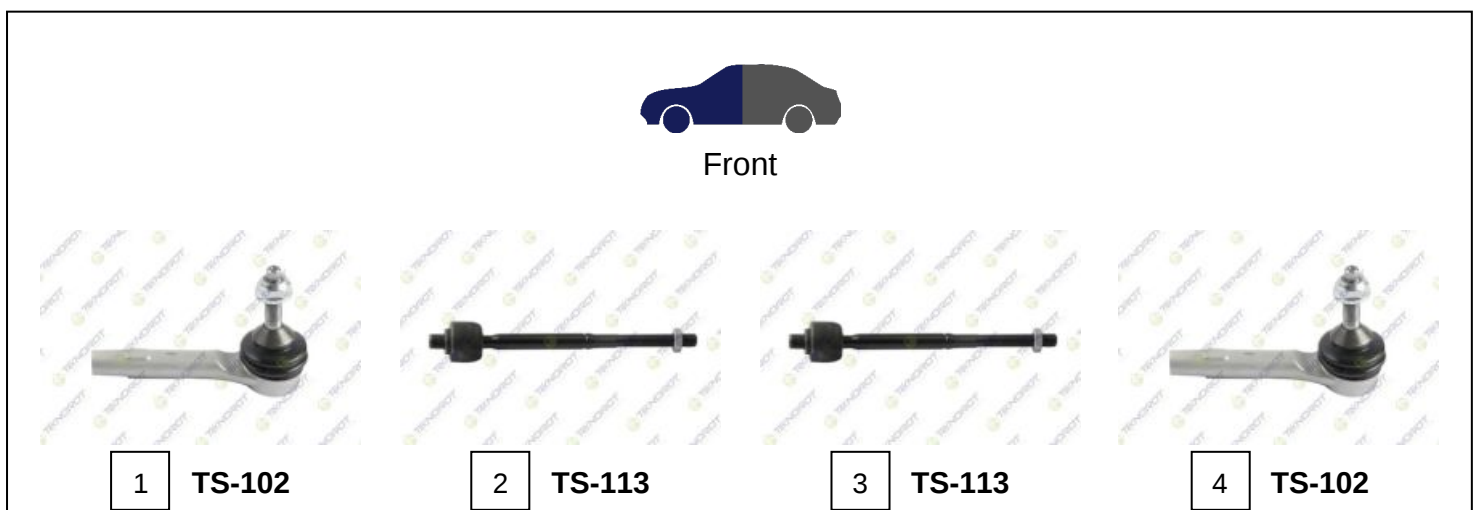
Part Position

OEM

Notes

V-1023	Steering Tie Rod	Front	1EA423810C, 1EB422807A, 2813574, VWR2KA3280BA	
V-1034K	Suspension Ball Joint Kit	Front	1EA407365A, 1EA407365C, 2720963, VWR2KA3395CA	
V-989	Suspension Control Arm and Ball Joint Assembly	Front Left Lower	1EA407151A, 1EA407151E, 1EA407153A	
V-988	Suspension Control Arm and Ball Joint Assembly	Front Right Lower	1EA407152A, 1EA407152E, 1EA407154A	
V-989S	Suspension Control Arm	Front Left Lower	1EA407151A*, 1EA407151E*, 1EA407153A*	
V-988S	Suspension Control Arm	Front Right Lower	1EA407152A*, 1EA407152E*, 1EA407154A*	
V-1036	Suspension Stabilizer Bar Link	Front	1EA411315C, 1EA411315B, 1EA411315B, 1EA411315C, 1ED411315, 1N3411315, 2699263, VWR2KA3B438AA	
V-1088	Lateral Arm	Rear Upper Rearward	1EA505397B, 1EA505397C, 1ED505397B, 1ED505397A	
V-1098	Lateral Arm	Rear Upper Forward	1EA505323A, 1ED505323A, 1EA505323B	
V-1047	Suspension Stabilizer Bar Link	Rear Left	1EA505465, 1EA505465A	

TESLA / MODEL 3 2017-2023 & 1st Gen





5 TS-199



6 TS-BS011



7 TS-198



8 TS-128



9 TS-128



10 TS-139



11 TS-138



Rear



12 TS-168



13 TS-BS007



14 TS-BS013



15 TS-168



16 TS-178



17 TS-BS013



18 TS-BS027



19 TS-178



20 TS-208



21 TS-BS027



22 TS-208



23 TS-127

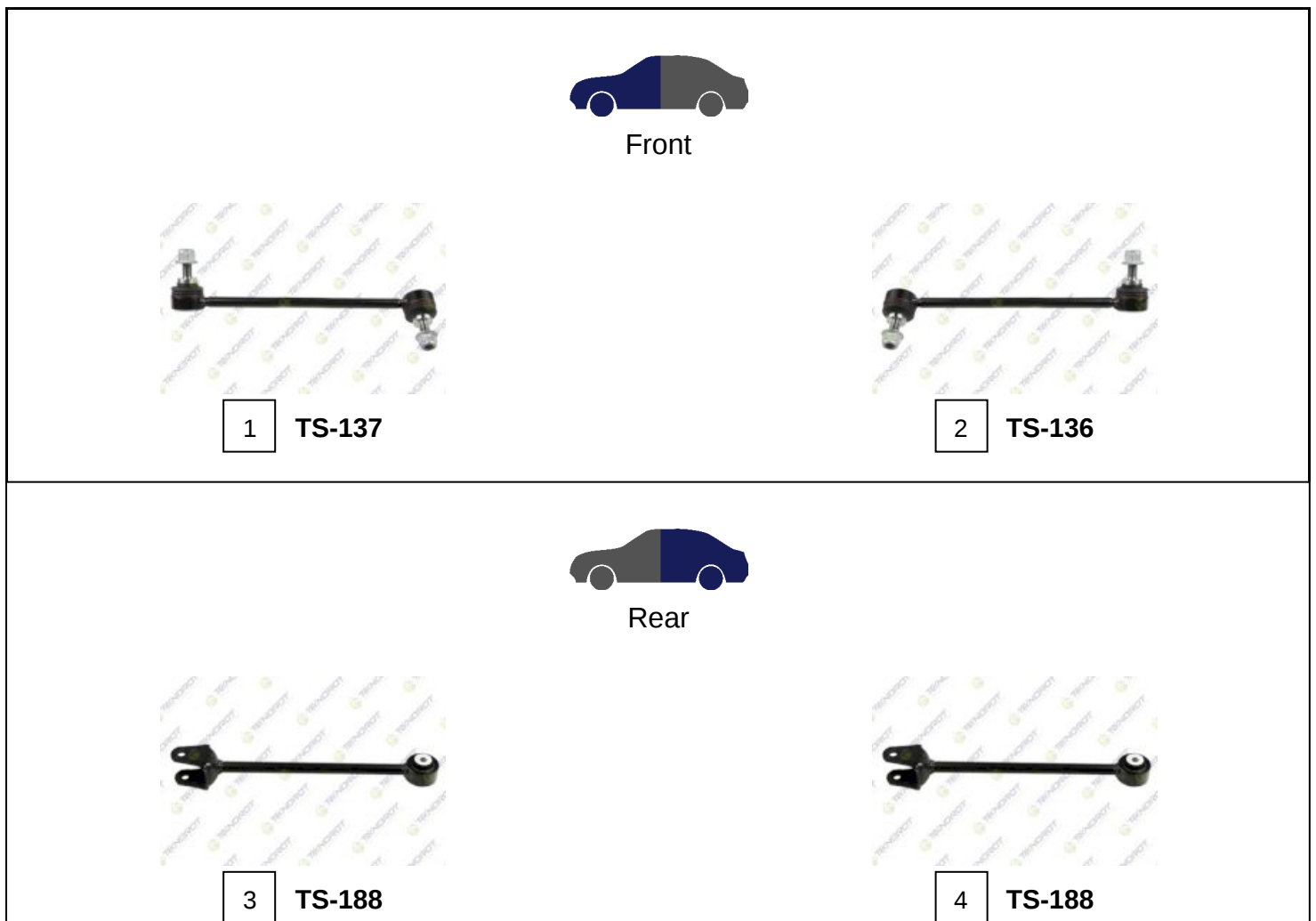


24 TS-126

Part No	Part Description	Part Position	OEM	Notes
TS-102	Steering Tie Rod End	Front	104484100E	
TS-113	Steering Tie Rod	Front	107080100E, 118883200B	
TS-199	Suspension Control Arm and Ball Joint Assembly	Front Left Upper	104432100H, 104432100F, 104432100G, 104432100J, 104432100H, 128832100A, 118832100A, 104432100D, 104432100E	Steel Type
TS-BS011	Control Arm Bushing	Front Upper	104432600H*, 104432100H*	
TS-198	Suspension Control Arm and Ball Joint Assembly	Front Right Upper	104432600H, 104432600F, 104432600G, 104432600J, 104432600H, 128832600A, 118832600A, 104432600D, 104432600E, 104432699H	Steel Type
TS-128	Suspension Control Arm and Ball Joint Assembly	Front Lower Rearward	104434100D, 104434100C	
TS-139	Suspension Control Arm and Ball Joint Assembly	Front Left Lower Forward	104435400A, 104435100C, 134435400A, 218835410B	
TS-138	Suspension Control Arm and Ball Joint Assembly	Front Right Lower Forward	104435900A, 104435600C, 134435900A, 218835910B	

TS-168	Lateral Arm	Rear	104443100G, 104443100H	
TS-BS007	Lateral Arm Bushing	Rear Upper Forward	104442700C*, 104441600G*	
TS-BS013	Lateral Arm Bushing	Rear Upper	104442300G*, 104442300H*, 118842300A*, 128842300A*, 118842300A*	
TS-178	Lateral Arm	Rear Upper	104442300G, 104442300H, 118842300A	
TS-BS027	Lateral Arm Bushing	Rear	104443100G*, 104443100H*, 104441600G*	
TS-208	Lateral Arm	Rear Upper Forward	104442700C	
TS-127	Suspension Stabilizer Bar Link	Rear Left	104449100E, 104449100F, 128849100A	
TS-126	Suspension Stabilizer Bar Link	Rear Right	104449600E, 104449600F, 128849600A	

TESLA / MODEL 3 2023- & 2nd Gen





5 TS-228

Part No	Part Description	Part Position	OEM	Notes
TS-137	Suspension Stabilizer Bar Link	Front Left	118839100B, 104439100D	Facelift
TS-136	Suspension Stabilizer Bar Link	Front Right	118839600B, 104439600D	Facelift
TS-188	Lateral Arm	Rear Lower Forward	104444400A, 104444400B, 104444100E, 104444100F, 134444100B, 128844199A	Facelift
TS-228	Lateral Arm	Rear Lower	104445100F, 128845100A, 128845600A	Facelift

TESLA / MODEL S 2012-2021 & 1st Gen



Front



1 TS-1001



2 LA-233



3 LA-233



4 TS-1001



5 TS-103



6 TS-103



7 TS-1001233



8 TS-1001233



9 TS-1009



10 SB 1306



11 SB 1306



12 TS-1008



13 TS-1004K



14 TS-1004K



15 TS-1083



16 TS-1081



17 TS-1083K



18 TS-1081K



19 TS-1091



20 TS-1082



21 TS-1091K



22 TS-1082K



23 TS-1092



24 TS-1083



25 TS-1092K



26 TS-1083K



27 TS-118



28 TS-118



29 TS-159



30 TS-158



31 TS-1007



32 TS-1006



33 TS-116



34 TS-116



35 TS-166



36 TS-166



Rear



37 TS-108



38 TS-BS009



39 TS-108



40 TS-248



41 TS-BS010



42 TS-248



43 TS-258



44 TS-1016



45 TS-1016



46 TS-127



47 TS-126



48 TS-156



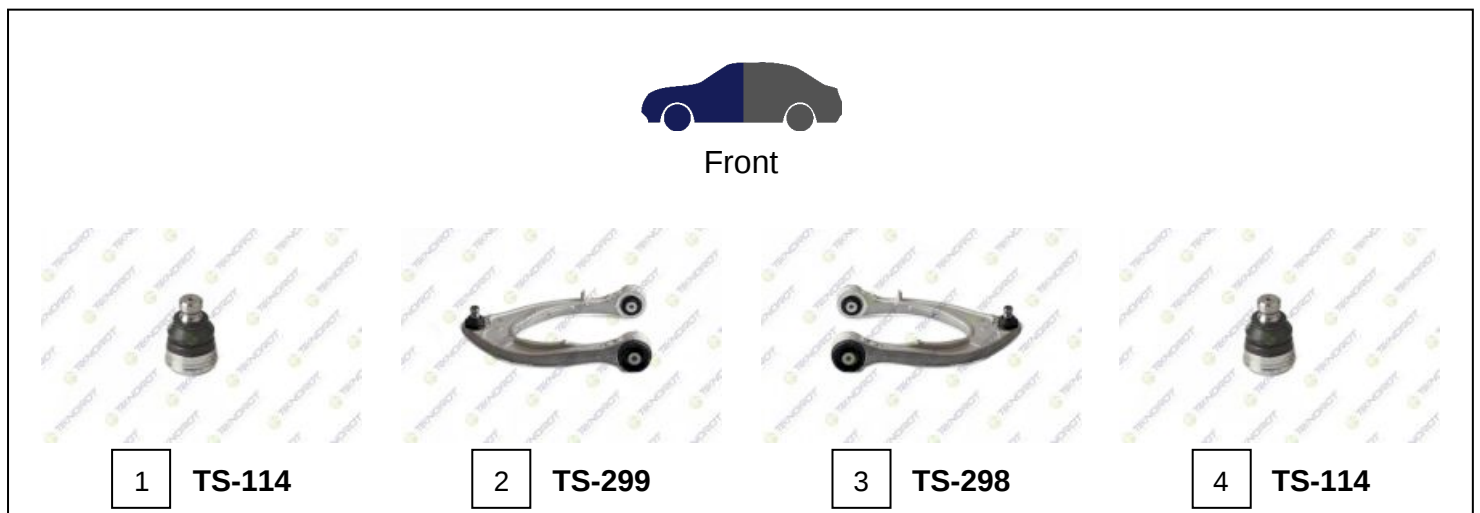
49 TS-156

Part No	Part Description	Part Position	OEM	Notes
TS-1001	Steering Tie Rod End	Front	600707100B*, 600707100A, 600707100B	
LA-233	Steering Tie Rod	Front	LR026271, 145362800B*, J9C7533, JJ323L519AA, LR097993, BJ323L519AA, 600697200A, 145362800B	
TS-103	Steering Tie Rod	Front	102783100E, 107080100F, 107080600E	
TS-1001233	Steering Tie Rod Assembly	Front	600707100B*, 145362800B*, 6007071	
TS-1009	Suspension Control Arm and Ball Joint Assembly	Front Left Upper	104396500A, 600653200A, 600653200B	
SB 1306	Control Arm Bushing	Front Upper	104396600A*, 104396500A*, 600893000A	

TS-1008	Suspension Control Arm and Ball Joint Assembly	Front Right Upper	104396600A, 600893000A, 600893000B	
TS-1004K	Suspension Ball Joint Kit	Front Upper	104396600A*, 104396500A*, 600893000A, 104396500B, 104396600B	
TS-1083	Suspension Control Arm and Ball Joint Assembly	Front Lower Rearward	104895100A	
TS-1081	Suspension Control Arm and Ball Joint Assembly	Front Right Lower Forward	600666400C	for 4x2
TS-1083K	Suspension Control Arm and Ball Joint Assembly	Front Lower Rearward	104895100A	
TS-1081K	Suspension Control Arm and Ball Joint Assembly	Front Right Lower	600666400C	with accessories
TS-1091	Suspension Control Arm and Ball Joint Assembly	Front Left Lower Forward	600799800C	for 4x2
TS-1082	Suspension Control Arm and Ball Joint Assembly	Front Right Lower Forward	104157500A	for 4x4
TS-1091K	Suspension Control Arm and Ball Joint Assembly	Front Left Lower	600799800C	with accessories
TS-1082K	Suspension Control Arm and Ball Joint Assembly	Front Right Lower	104157500A	with accessories
TS-1092	Suspension Control Arm and Ball Joint Assembly	Front Left Lower Forward	104157000A	for 4x4
TS-1092K	Suspension Control Arm and Ball Joint Assembly	Front Left Lower	104157000A	with accessories
TS-118	Suspension Control Arm and Ball Joint Assembly	Front Lower Rearward	102735100C, 102735100E	
TS-159	Suspension Control Arm and Ball Joint Assembly	Front Left Lower Forward	104157000B, 142034100C, 162034100B	

TS-158	Suspension Control Arm and Ball Joint Assembly	Front Right Lower Forward	104157500B, 142034600C, 162034600B	
TS-1007	Suspension Stabilizer Bar Link	Front Left	600709800A	
TS-1006	Suspension Stabilizer Bar Link	Front Right	600891500A	
TS-116	Suspension Stabilizer Bar Link	Front	103060300B	
TS-166	Suspension Stabilizer Bar Link	Front	142039100C	
TS-108	Lateral Arm	Rear Upper	600684000B, 104396400C	RWD
TS-BS009	Lateral Arm Bushing	Rear Upper	102142000B*, 102742100E*	
TS-248	Lateral Arm	Rear Upper	102742100E, 102742100C, 102742600C, 102742600A, 104396300B	
TS-BS010	Lateral Arm Bushing	Rear Upper	600684000B*	RWD
TS-258	Lateral Arm	Rear Lower	102745999A, 102141600A, 102141600D	
TS-1016	Suspension Stabilizer Bar Link	Rear	600689500A, 102142200B	Aluminium
TS-127	Suspension Stabilizer Bar Link	Rear Left	104449100E, 104449100F, 128849100A	
TS-126	Suspension Stabilizer Bar Link	Rear Right	104449600E, 104449600F, 128849600A	
TS-156	Suspension Stabilizer Bar Link	Rear	600710000A	

TESLA / MODEL S 2021- & 2nd Gen





5 TS-118



6 TS-118



7 TS-329K



8 TS-328K



Rear



9 TS-279



10 TS-BS032



11 TS-278



12 TS-389



13 TS-388



14 TS-288



15 TS-288



16 TS-308



17 TS-308



18 TS-318



19 TS-318



20 TS-127



21 TS-126



22 TS-127

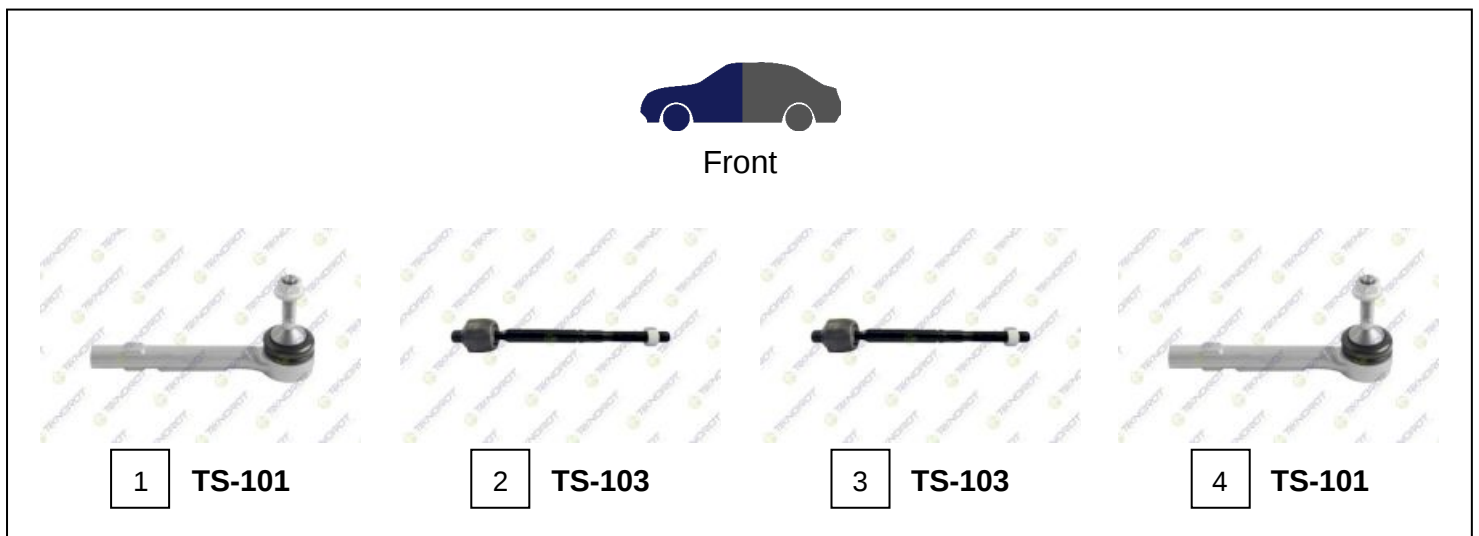


23 TS-126

Part No	Part Description	Part Position	OEM	Notes
TS-114	Suspension Ball Joint	Front Upper	142032600B*, 142032100C *	
TS-299	Suspension Control Arm and Ball Joint Assembly	Front Left Upper	142032100C, 142032100B	
TS-298	Suspension Control Arm and Ball Joint Assembly	Front Right Upper	142032600B, 142032600C	
TS-118	Suspension Control Arm and Ball Joint Assembly	Front Lower Rearward	102735100C, 102735100E	

TS-329K	Suspension Control Arm and Ball Joint Assembly	Front Left Lower	142034100C*	
TS-328K	Suspension Control Arm and Ball Joint Assembly	Front Right Lower	142034600C*	
TS-279	Lateral Arm	Rear Left Upper	142042199G, 142042100G	
TS-BS032	Lateral Arm Bushing	Rear Upper	142042299G, 142042200G, 142042199G, 142042100G	
TS-278	Lateral Arm	Rear Right Upper	142042299G, 142042200G	
TS-389	Lateral Arm	Rear Left Upper	142042800B	
TS-388	Lateral Arm	Rear Right Upper	142042600B	
TS-288	Lateral Arm	Rear Lower Forward	142044100F, 142044100G, 142044100B	
TS-308	Lateral Arm	Rear Lower Rearward	142045200D, 142045200E	
TS-318	Lateral Arm	Rear Lower	142043599G, 142043599G	
TS-127	Suspension Stabilizer Bar Link	Rear Left	104449100E, 104449100F, 128849100A	Facelift
TS-126	Suspension Stabilizer Bar Link	Rear Right	104449600E, 104449600F, 128849600A	Facelift

TESLA / MODEL X 2015-2021 & 1st Gen





5 TS-239



6 TS-BS017



7 TS-BS017



8 TS-238



9 TS-118



10 TS-118



11 TS-159



12 TS-158



13 TS-106



14 TS-106



Rear



15 TS-119



16 TS-BS009



17 TS-119



18 TS-248



19 TS-248



20 TS-209



21 TS-107



22 TS-107



23 TS-146

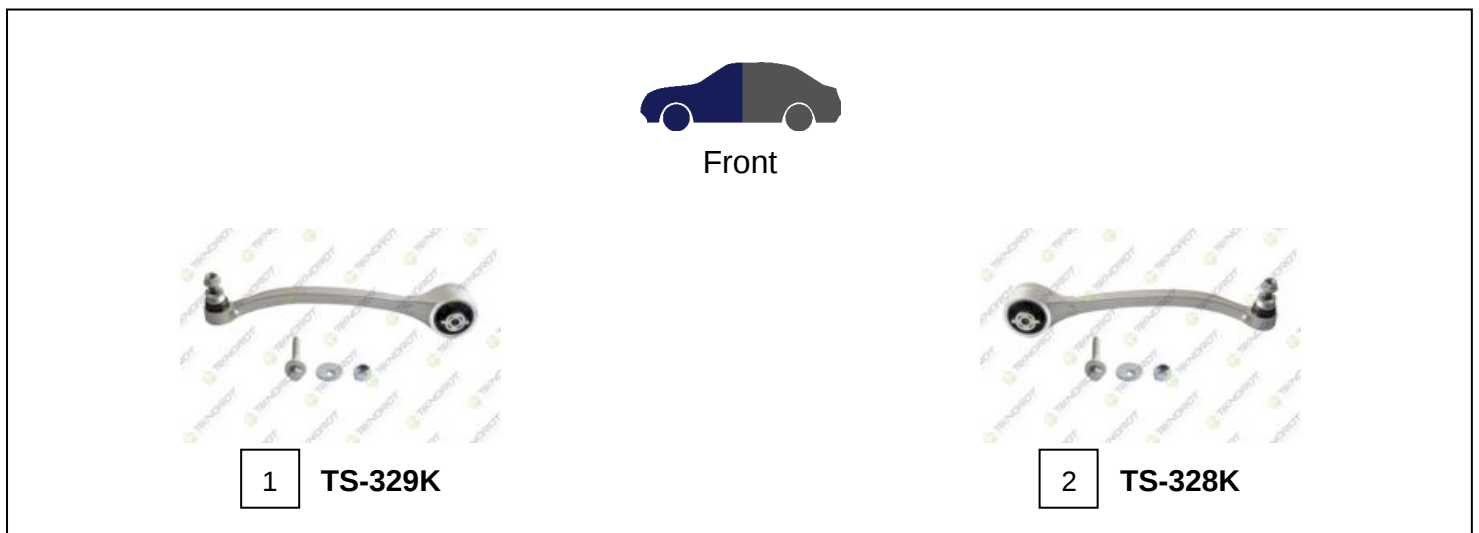


24 TS-146

Part No	Part Description	Part Position	OEM	Notes
TS-101	Steering Tie Rod End	Front	102784100B	
TS-103	Steering Tie Rod	Front	102783100E, 107080100F, 107080600E	
TS-239	Suspension Control Arm and Ball Joint Assembly	Front Left Upper	102732200E	Alumunium Type
TS-BS017	Control Arm Bushing	Front Upper	102732700E	
TS-238	Suspension Control Arm and Ball Joint Assembly	Front Right Upper	102732700E, 102732700D, 102732700F	Alumunium Type

TS-118	Suspension Control Arm and Ball Joint Assembly	Front Lower Rearward	102735100C, 102735100E	
TS-159	Suspension Control Arm and Ball Joint Assembly	Front Left Lower Forward	104157000B, 142034100C, 162034100B	
TS-158	Suspension Control Arm and Ball Joint Assembly	Front Right Lower Forward	104157500B, 142034600C, 162034600B	
TS-106	Suspension Stabilizer Bar Link	Front	102739100B	
TS-119	Lateral Arm	Rear Upper	102142000B, 102142000A	
TS-BS009	Lateral Arm Bushing	Rear Upper	102142000B*, 102742100E*	
TS-248	Lateral Arm	Rear Upper	102742100E, 102742100C, 102742600C, 102742600A, 104396300B	
TS-209	Lateral Arm	Rear Lower	102745100F	
TS-107	Suspension Stabilizer Bar Link	Rear	102749100A	
TS-146	Suspension Stabilizer Bar Link	Rear	102744100A	Aluminum Coupling Rod

TESLA / MODEL X 2021- & 2nd Gen





Rear



3 TS-BS032



4 TS-288



5 TS-288



6 TS-318



7 TS-318

Part No	Part Description	Part Position	OEM	Notes
TS-329K	Suspension Control Arm and Ball Joint Assembly	Front Left Lower	142034100C*	
TS-328K	Suspension Control Arm and Ball Joint Assembly	Front Right Lower	142034600C*	
TS-BS032	Lateral Arm Bushing	Rear Upper	142042299G, 142042200G, 142042199G, 142042100G	
TS-288	Lateral Arm	Rear Lower Forward	142044100F, 142044100G, 142044100B	
TS-318	Lateral Arm	Rear Lower	142043599G, 142043599G	

TESLA / MODEL Y 2020-2025 & 1st Gen



Front



1 TS-102



2 TS-113



3 TS-113



4 TS-102



5 TS-199



6 TS-BS011



7 TS-198



8 TS-139



9 TS-138



10 TS-408



11 TS-408



12 TS-137



13 TS-136



Rear



14 TS-178



15 TS-BS013



16 TS-BS013



17 TS-178



18 TS-398



19 TS-398



20 TS-188



21 TS-188



22 TS-228



23 TS-127



24 TS-126

Part No	Part Description	Part Position	OEM	Notes
TS-102	Steering Tie Rod End	Front	104484100E	

TS-113	Steering Tie Rod	Front	107080100E, 118883200B	
TS-199	Suspension Control Arm and Ball Joint Assembly	Front Left Upper	104432100H, 104432100F, 104432100G, 104432100J, 104432100H, 128832100A, 118832100A, 104432100D, 104432100E	Steel Type
TS-BS011	Control Arm Bushing	Front Upper	104432600H*, 104432100H*	
TS-198	Suspension Control Arm and Ball Joint Assembly	Front Right Upper	104432600H, 104432600F, 104432600G, 104432600J, 104432600H, 128832600A, 118832600A, 104432600D, 104432600E, 104432699H	Steel Type
TS-139	Suspension Control Arm and Ball Joint Assembly	Front Left Lower Forward	104435400A, 104435100C, 134435400A, 218835410B	
TS-138	Suspension Control Arm and Ball Joint Assembly	Front Right Lower Forward	104435900A, 104435600C, 134435900A, 218835910B	
TS-408	Suspension Control Arm and Ball Joint Assembly	Front Lower	118834100C, 128834199B, 218834100B	
TS-137	Suspension Stabilizer Bar Link	Front Left	118839100B, 104439100D	
TS-136	Suspension Stabilizer Bar Link	Front Right	118839600B, 104439600D	
TS-178	Lateral Arm	Rear Upper	104442300G, 104442300H, 118842300A	
TS-BS013	Lateral Arm Bushing	Rear Upper	104442300G*, 104442300H*, 118842300A*, 128842300A*, 118842300A*	
TS-398	Lateral Arm	Rear Upper	128842300A	25X19
TS-188	Lateral Arm	Rear Lower Forward	104444400A, 104444400B, 104444100E, 104444100F, 134444100B, 128844199A	Facelift
TS-228	Lateral Arm	Rear Lower	104445100F, 128845100A, 128845600A	

TS-127	Suspension Stabilizer Bar Link	Rear Left	104449100E, 104449100F, 128849100A	
TS-126	Suspension Stabilizer Bar Link	Rear Right	104449600E, 104449600F, 128849600A	

TESLA / MODEL Y 2025 & 2nd Gen



Rear




1


TS-228

Part No	Part Description	Part Position	OEM	Notes
TS-228	Lateral Arm	Rear Lower	104445100F, 128845100A, 128845600A	

TESLA / MODEL Y 2025- & 2nd Gen




Front



1

TS-102



2

TS-102



3 TS-408



4 TS-408



5 TS-137



6 TS-136



Rear



7 TS-127



8 TS-126

Part No	Part Description	Part Position	OEM	Notes
TS-102	Steering Tie Rod End	Front	104484100E	
TS-408	Suspension Control Arm and Ball Joint Assembly	Front Lower	118834100C, 128834199B, 218834100B	
TS-137	Suspension Stabilizer Bar Link	Front Left	118839100B, 104439100D	
TS-136	Suspension Stabilizer Bar Link	Front Right	118839600B, 104439600D	
TS-127	Suspension Stabilizer Bar Link	Rear Left	104449100E, 104449100F, 128849100A	
TS-126	Suspension Stabilizer Bar Link	Rear Right	104449600E, 104449600F, 128849600A	



Front



1 TG-101



2 TG-103



3 TG-103



4 TG-101



5 TG-BS002



6 TG-BS001



7 TG-KT001



8 TG-KT001



9 TG-114



10 TG-109



11 TG-108

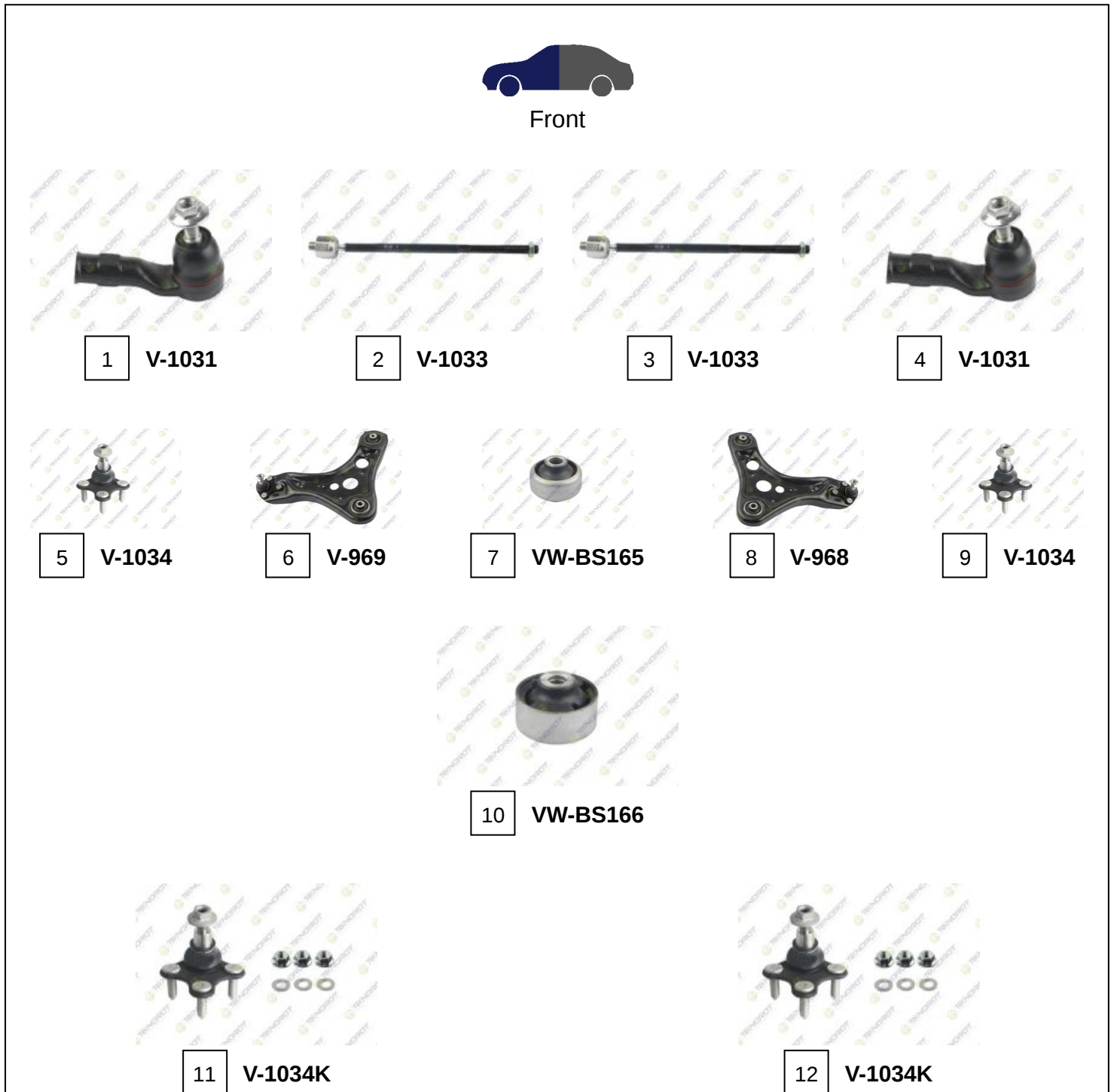


12 TG-114

Part No	Part Description	Part Position	OEM	Notes
TG-101	Steering Tie Rod End	Front	B0601101110, B0601101110AA	
TG-103	Steering Tie Rod	Front	B0601101110, B0601101110AA	
TG-BS002	Control Arm Bushing	Front Left Outer	B0602103101AE*	
TG-BS001	Control Arm Bushing	Front Right Outer	B0602102102AC*	

TG-KT001	Control Arm Bushing	Front	B0602102102AC*, B0602103101AE*	
TG-114	Suspension Ball Joint	Front Lower	B0602103004A001	
TG-109	Suspension Control Arm and Ball Joint Assembly	Front Left Lower	B0602103101AE	
TG-108	Suspension Control Arm and Ball Joint Assembly	Front Right Lower	B0602102102AC	

VOLKSWAGEN / ID.3 2020- & E11





13 V-969S



14 V-968S



15 V-1036



16 V-1036



Rear



17 V-1068



18 V-1068



19 V-1088



20 V-1078



21 V-1047



22 V-1046

Part No	Part Description	Part Position	OEM	Notes
V-1031	Steering Tie Rod End	Front	1EA423811B, 1EB422811A	
V-1033	Steering Tie Rod	Front	1EA423810B	
V-1034	Suspension Ball Joint	Front	1EA407365A	
V-969	Suspension Control Arm and Ball Joint Assembly	Front Left	1EA407151B	
VW-BS165	Control Arm Bushing	Front Inner	1EA407152B*, 1EA407152A*, 1EA407151A*	
V-968	Suspension Control Arm and Ball Joint Assembly	Front Right	1EA407152B	
VW-BS166	Control Arm Bushing	Front Outer	1EA407152B*, 1EA407152A*, 1EA407151A*	
V-1034K	Suspension Ball Joint Kit	Front	1EA407365A, 1EA407365C, 2720963, VWR2KA3395CA	
V-969S	Suspension Control Arm	Front Left	1EA407151B*	
V-968S	Suspension Control Arm	Front Right	1EA407152B*	
V-1036	Suspension Stabilizer Bar Link	Front	1EA411315C, 1EA411315B, 1EA411315B, 1EA411315C, 1ED411315, 1N3411315, 2699263, VWR2KA3B438AA	
V-1068	Lateral Arm	Rear Forward	1EA501529B	
V-1088	Lateral Arm	Rear Upper Rearward	1EA505397B, 1EA505397C, 1ED505397B, 1ED505397A	
V-1078	Lateral Arm	Rear Lower Forward	1EA505291A	
V-1047	Suspension Stabilizer Bar Link	Rear Left	1EA505465, 1EA505465A	

V-1046	Suspension Stabilizer Bar Link	Rear Right	1EA505466, 1EA505466A	
--------	--------------------------------	------------	--------------------------	--

VOLKSWAGEN / ID.4 2021- & E21



Front



1 V-1031



2 V-1023



3 V-1023



4 V-1031



5 V-1034



6 VW-BS165



7 V-1034



8 VW-BS166



9 V-1034K



10 V-1034K



11 V-989



12 V-988



13 V-989S



14 V-988S



15 V-1036



16 V-1036



Rear



17 V-1068



18 V-1068



19 V-1088



20 V-1098



21 V-1078



22 V-1047



23 V-1046

Part No	Part Description	Part Position	OEM	Notes
V-1031	Steering Tie Rod End	Front	1EA423811B, 1EB422811A	
V-1023	Steering Tie Rod	Front	1EA423810C, 1EB422807A, 2813574, VWR2KA3280BA	
V-1034	Suspension Ball Joint	Front	1EA407365A	
VW-BS165	Control Arm Bushing	Front Inner	1EA407152B*, 1EA407152A*, 1EA407151A*	
VW-BS166	Control Arm Bushing	Front Outer	1EA407152B*, 1EA407152A*, 1EA407151A*	
V-1034K	Suspension Ball Joint Kit	Front	1EA407365A, 1EA407365C, 2720963, VWR2KA3395CA	
V-989	Suspension Control Arm and Ball Joint Assembly	Front Left Lower	1EA407151A, 1EA407151E, 1EA407153A	
V-988	Suspension Control Arm and Ball Joint Assembly	Front Right Lower	1EA407152A, 1EA407152E, 1EA407154A	

V-989S	Suspension Control Arm	Front Left Lower	1EA407151A*, 1EA407151E*, 1EA407153A*	
V-988S	Suspension Control Arm	Front Right Lower	1EA407152A*, 1EA407152E*, 1EA407154A*	
V-1036	Suspension Stabilizer Bar Link	Front	1EA411315C, 1EA411315B, 1EA411315B, 1EA411315C, 1ED411315, 1N3411315, 2699263, VWR2KA3B438AA	
V-1068	Lateral Arm	Rear Forward	1EA501529B	
V-1088	Lateral Arm	Rear Upper Rearward	1EA505397B, 1EA505397C, 1ED505397B, 1ED505397A	
V-1098	Lateral Arm	Rear Upper Forward	1EA505323A, 1ED505323A, 1EA505323B	
V-1078	Lateral Arm	Rear Lower Forward	1EA505291A	
V-1047	Suspension Stabilizer Bar Link	Rear Left	1EA505465, 1EA505465A	
V-1046	Suspension Stabilizer Bar Link	Rear Right	1EA505466, 1EA505466A	

VOLKSWAGEN / ID.5 2022- & E39



Front



1 V-1023



2 V-1023



3 V-1034



4 V-1034



Rear



5 V-1088



6 V-1047



7 V-1046

Part No	Part Description	Part Position	OEM	Notes
V-1023	Steering Tie Rod	Front	1EA423810C, 1EB422807A, 2813574, VWR2KA3280BA	
V-1034	Suspension Ball Joint	Front	1EA407365A	
V-1088	Lateral Arm	Rear Upper Rearward	1EA505397B, 1EA505397C, 1ED505397B, 1ED505397A	
V-1047	Suspension Stabilizer Bar Link	Rear Left	1EA505465, 1EA505465A	
V-1046	Suspension Stabilizer Bar Link	Rear Right	1EA505466, 1EA505466A	



Front



1 V-1031



2 V-1023



3 V-1023



4 V-1031



5 V-1034K



6 V-1034K



7 V-989



8 V-988



9 V-989S



10 V-988S



Rear



11 V-1068



12 V-1068



13 V-1088



14 V-1098



15 V-1078



16 V-1047



17 V-1046

Part No	Part Description	Part Position	OEM	Notes
V-1031	Steering Tie Rod End	Front	1EA423811B, 1EB422811A	

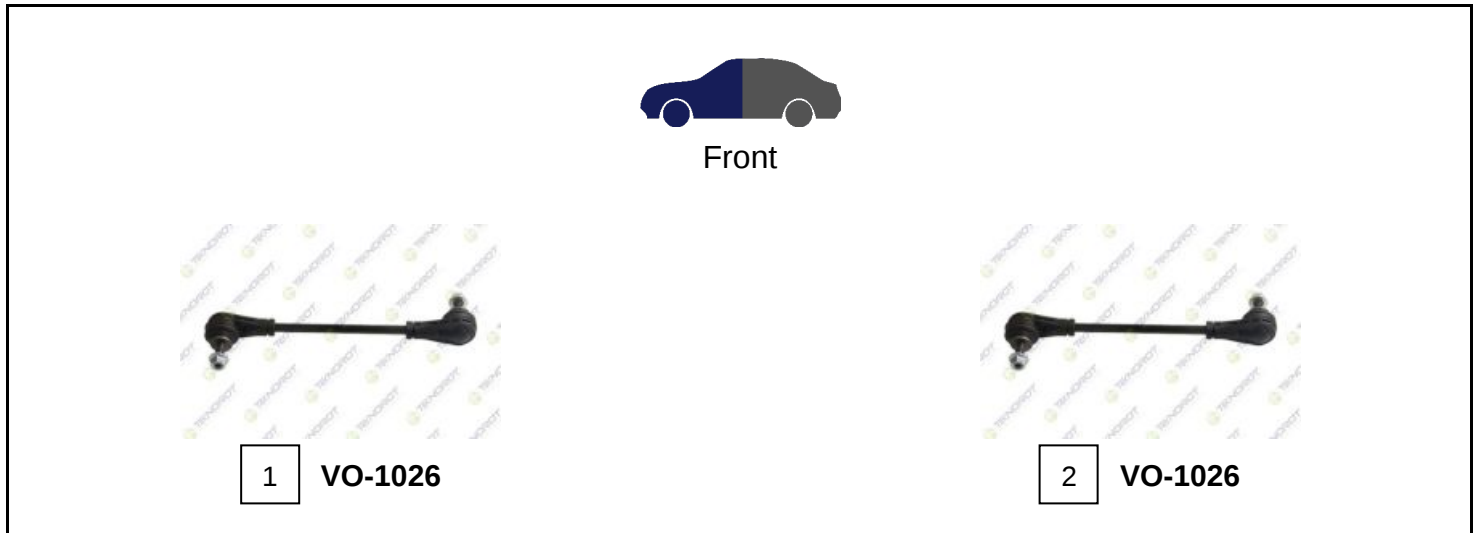
V-1023	Steering Tie Rod	Front	1EA423810C, 1EB422807A, 2813574, VWR2KA3280BA	
V-1034K	Suspension Ball Joint Kit	Front	1EA407365A, 1EA407365C, 2720963, VWR2KA3395CA	
V-989	Suspension Control Arm and Ball Joint Assembly	Front Left Lower	1EA407151A, 1EA407151E, 1EA407153A	
V-988	Suspension Control Arm and Ball Joint Assembly	Front Right Lower	1EA407152A, 1EA407152E, 1EA407154A	
V-989S	Suspension Control Arm	Front Left Lower	1EA407151A*, 1EA407151E*, 1EA407153A*	
V-988S	Suspension Control Arm	Front Right Lower	1EA407152A*, 1EA407152E*, 1EA407154A*	
V-1068	Lateral Arm	Rear Forward	1EA501529B	
V-1088	Lateral Arm	Rear Upper Rearward	1EA505397B, 1EA505397C, 1ED505397B, 1ED505397A	
V-1098	Lateral Arm	Rear Upper Forward	1EA505323A, 1ED505323A, 1EA505323B	
V-1078	Lateral Arm	Rear Lower Forward	1EA505291A	
V-1047	Suspension Stabilizer Bar Link	Rear Left	1EA505465, 1EA505465A	
V-1046	Suspension Stabilizer Bar Link	Rear Right	1EA505466, 1EA505466A	

VOLVO / C40 2021- & 1st Gen



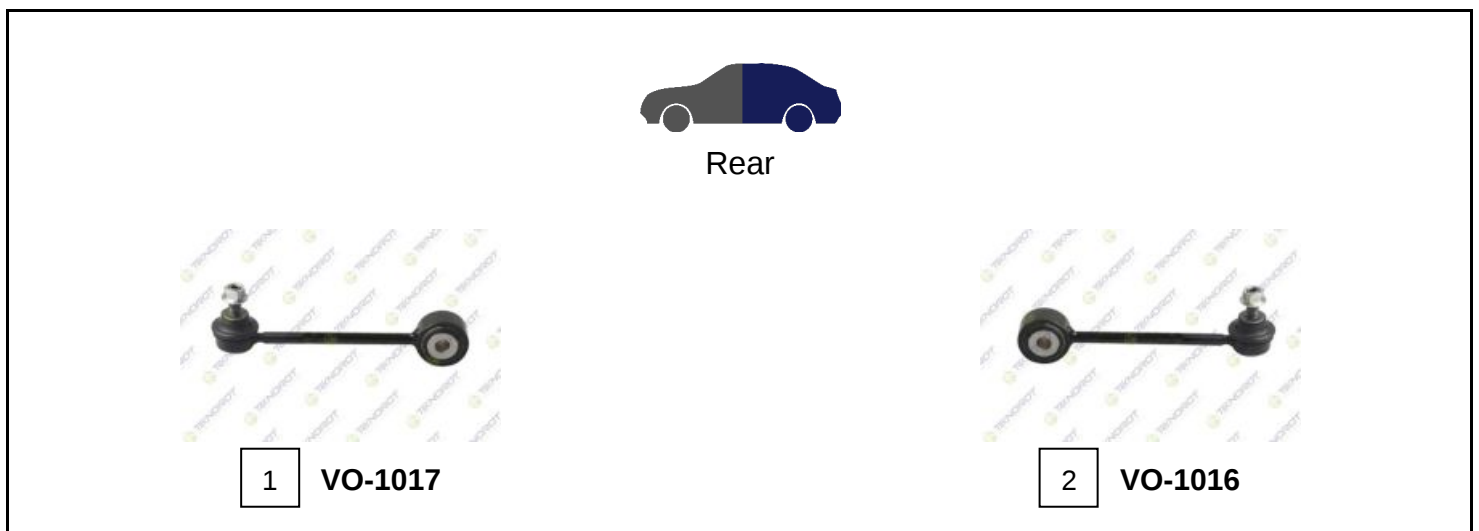
VO-861	Steering Tie Rod End	Front Right	32221546, 32283514, 31476749, 32283513, 8889500558, 8888331399, 861897, 31476749, 32283513	
--------	----------------------	-------------	--	--

VOLVO / EX30 2023-



Part No	Part Description	Part Position	OEM	Notes
VO-1026	Suspension Stabilizer Bar Link	Front	80016042	

VOLVO / EX30 2023- & 1st Gen



Part No	Part Description	Part Position	OEM	Notes
VO-1017	Suspension Stabilizer Bar Link	Rear Left	80016043	
VO-1016	Suspension Stabilizer Bar Link	Rear Right	80016044	

VOLVO / EX90 2024-



Front



1 VO-1007



2 VO-1006

Part No	Part Description	Part Position	OEM	Notes
VO-1007	Suspension Stabilizer Bar Link	Front Left	32346836, 32269349	
VO-1006	Suspension Stabilizer Bar Link	Front Right	32346837, 32269348	